
Table of Contents

AUTOMATIC TRANSMISSIONS

Subject	Page
A5S 360R GM 5	3
Introduction	4
System and Components Overview	
Components	
Case and Pan	6
Torque Converter	6
Vane Pump	7
Electro/Hydraulic Valve Body	8
Accumulator Chambers	9
Multi plate Drive and Brake Clutches	10
Free Wheel Clutches	11
Planetary Gearset	12
Transmission Fluid Heat Exchanger	14
A5S 360R Power Flow	15
GS 20 Control System	16
GS 20 IPO	17
GS 20 Input Signals	16
GS 20 Output Control Signals	20
CAN Bus Communication	21
GS 20 Program Features Overview	
AGS (Adaptive Transmission Control)	22
Non AGS Functions	22
Adaptive Hydraulic Pressure Control	25
Emergency Program	26
Service Information	
Transmission Fluid	27
Checking Transmission Fluid	27
Service & Replacement Parts	28



Subject	Page
Diagnosis & Programming	
Fault Codes	30
Programming	31
Basic Troubleshooting.	32
A5S 325Z 5HP 19.	33
Converter Clutch.	37
Oil Pump.	38
Clutches.	39
Transmission Diagram.	41
Planetary Gear Set.	42
Oil Pan.	43
Transmission Weight.	43
Position of Selector lever and Steptronic Function.	43
Modifications to Electro-hydraulic Control System.	43
Solenoid Valve and Clutch Logic.	45
Electronic Control Unit.	46
Recording Turbine Speed.	48
Programming.	49
Modifications to the Adaptive Transmission Control.	50
System Overview with Steptronic for E46.	51
Service Information.	52
Transmission Application Chart.	53
Review Questions.	54

A5S 360R GM 5

Model: E46 All Versions

**Production Dates: 323i/Ci/Cic : 6/98 to 3/00, 323it: 1/00 to 3/01,
328i/Ci/Cic: 6/98 to 6/00, 330Xi: from 6/00,
325Xi: from 9/00**

Objectives

After completing this module you should be able to:

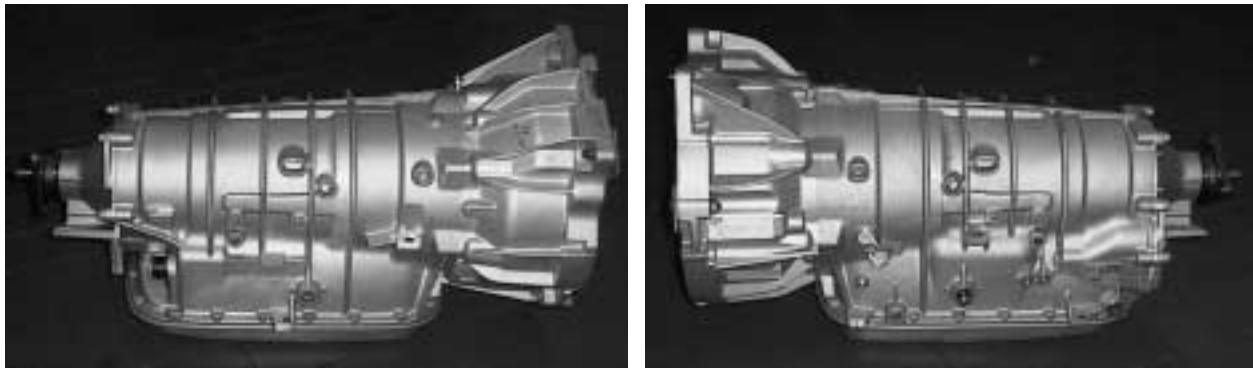
- List the electronic solenoids used in the valve body of the transmission.
- Explain the purpose of the accumulator chambers.
- Describe the installed location and operation of the range selector switch.
- Identify the communication between the AGS and other modules in the vehicle.
- Describe the features of the AGS driving programs.
- Recognize the symptoms of a vehicle in the transmission emergency program.
- Know how to check and fill the transmission fluid.
- Understand the scope of repairs possible on the A5S 360R transmission.

INTRODUCTION

The E46 introduces a new 5 speed automatic transmission manufactured by General Motors Powertrain division of Strasbourg, France. The transmission is designated:

- A5S 360R - BMW Designation
- 5 L40-E: GM Designation

The transmission will be available as an option in both the 323i and 328i models from start of production. The A5S 360R will also be available in the 1999 528i (9/98 production).



SYSTEM OVERVIEW

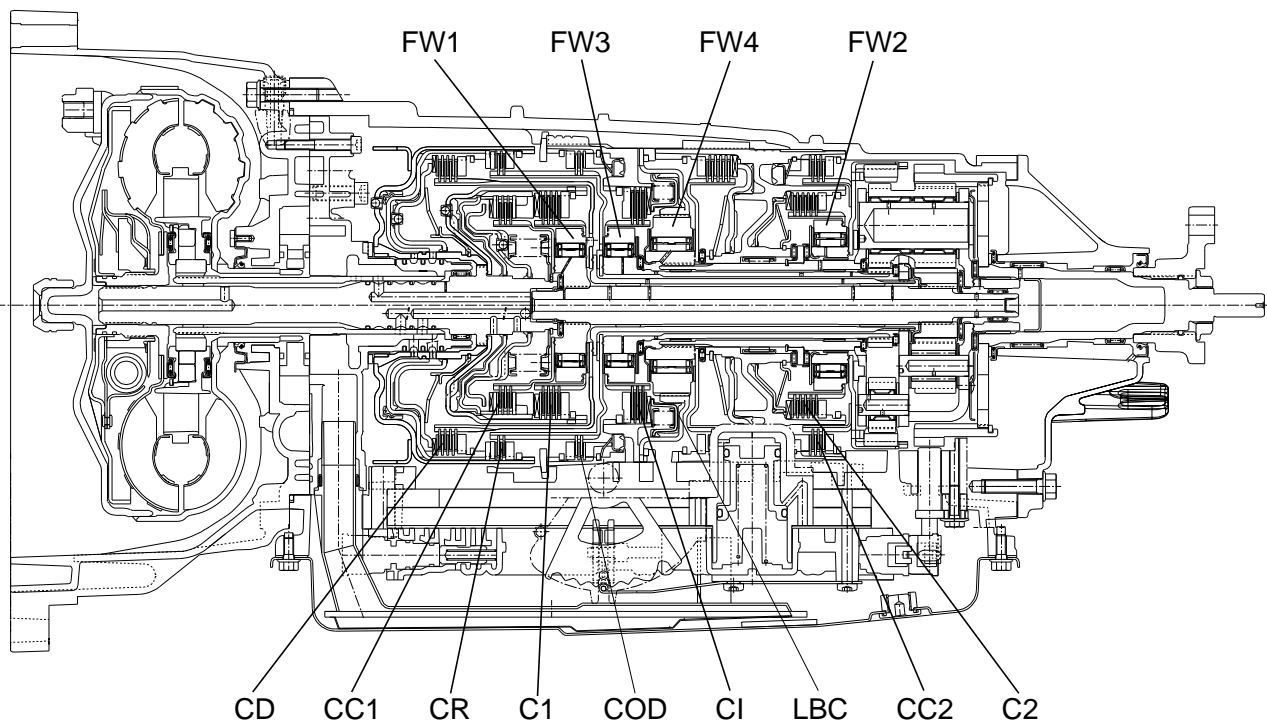
The A5S 360R transmission offers the following features and benefits:

- The A5S 360R's has a maximum torque rating of 360Nm.
- Designed and manufactured to provide maintenance free lifetime operation,
- Transmission fluid is designated as "sealed for life".
- Gradual torque converter lock up providing a controlled degree of clutch slippage and smooth transition to full lock.
- Torque converter variable lock up control can occur in 3rd, 4th and 5th gears.
- New GS 20 control system designed and manufactured via a joint effort with BMW, Siemens and GM.
- AGS shift program logic controlled,
- Transmission diagnostics improved due to the new E46 diagnostic concept,
- Drivetrain management system communication via CAN
- Emergency Program (Safety Mode) activates if certain faults are present

OVERVIEW OF COMPONENTS

The A5S 360R is an assembly of the following:

- Four case housing design (Torque converter bell housing, pump cover plate, main and extension cases)
- Single piece sump pan
- Replaceable oil filter unit
- Four element torque converter assembly with variably controlled lock up clutch.
- Vane type oil pump.
- Four multi-plate drive clutches with single sided friction plates
- Five multi-plate brake clutches with single sided friction plates,
- Four Free Wheel One Way Clutches (sprag type)

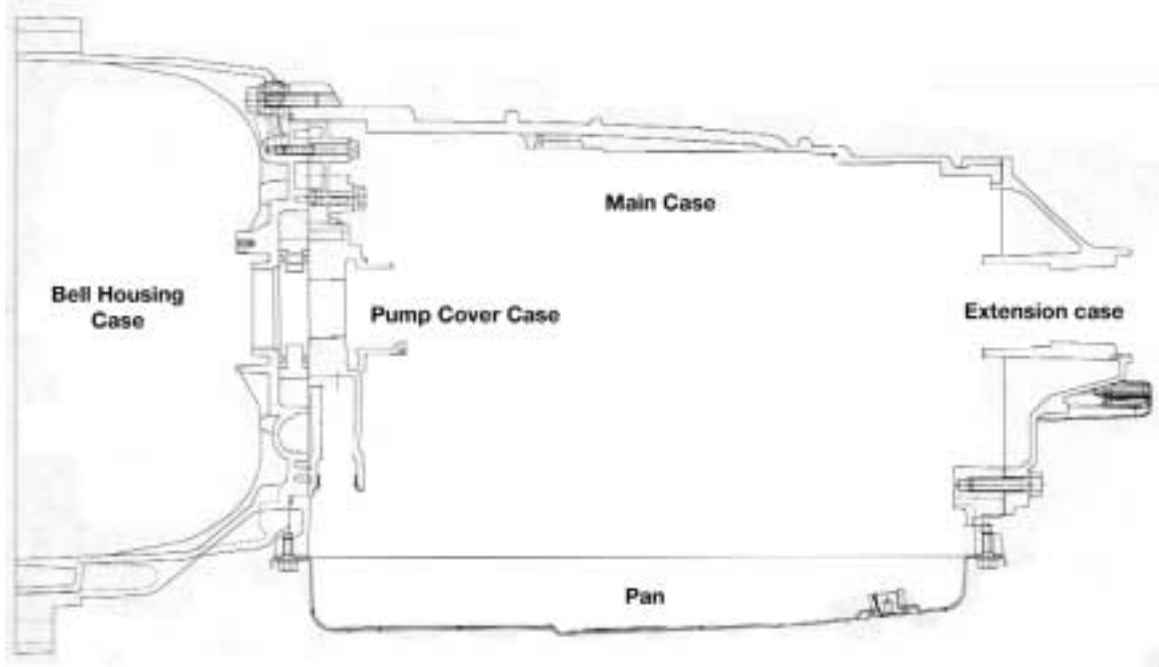


- One Planetary Gearset Assembly
- One Valve Body with solenoids for pressure regulation, shift control, torque converter regulated lock up and reverse lock out (combined function).

COMPONENTS

Transmission Cases and Pan:

Made of aluminum alloy, the cases are light weight. The single piece oil pan is made of single wall sheet metal. It includes a drain plug on the bottom surface at the rear .



The oil pan is mounted to the main case by 20 bolts. Oil pan sealing integrity is ensured by a controlled compression gasket. Cross tightening is required to ensure an even seal. Final torque of pan bolts is 10-12 Nm.

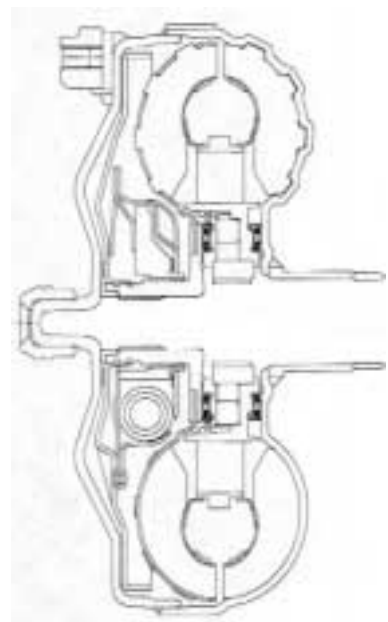
Torque Converter:

The 4 element torque converter consists of the Turbine, Rotor, Stator with one way clutch and Lock up clutch. Similar in function to previous torque converters, this unit's lock up clutch is:

- Fully disengaged
- Variable engagement providing precise slippage,
- Fully engaged (locked)

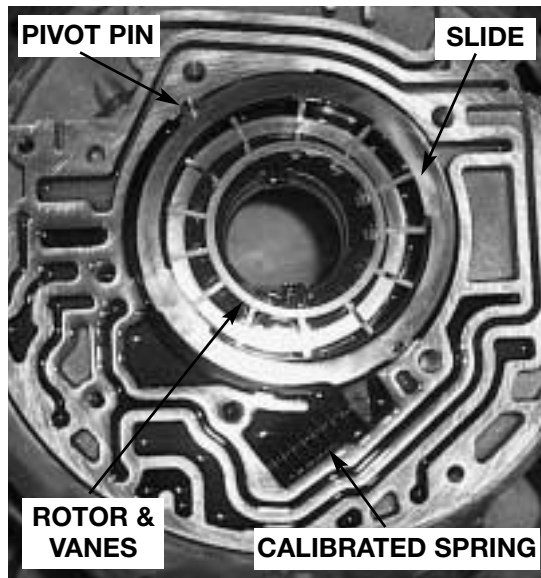
The various clutch application hydraulic pressures are regulated by the control module activated torque converter lock up solenoid.

The torque converter is manufactured specifically for the model it is installed in and is part number specific.



Vane Pump:

The A5S 360R uses a vane pump to provide the transmission main line oil supply for operation and cooling requirements. The pump rotor is mechanically driven by the torque converter oil pump drive tangs at 1:1 engine speed rotation providing pump operation.



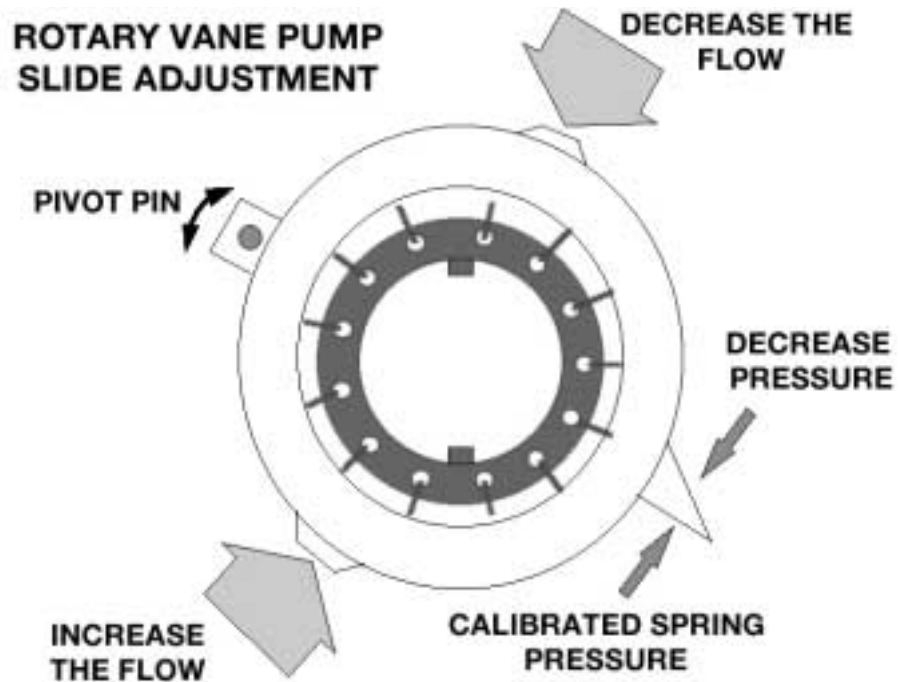
The rotor with 13 vanes is located in a recess on the rear surface of the bell housing covered by the pump cover plate. The rotor and vanes are placed inside a slide mechanism. As the rotor spins, the vanes “sweep” the oil from the pump intake to the output along the mating surface of the vane ends and the interior surface of the slide.

The slide is mounted on a pivot pin. As it pivots, it changes the eccentricity of the rotor to slide mating surface changing the pump output volume.

The slide’s position is influenced by a calibrated spring and hydraulic input pressure from the main pressure regulator solenoid in the valve body.

The benefit of changing the slide position is to optimize pump output volume to meet the needs of the operating conditions.

- Max volume during engine startup. This condition provides a fast priming action of the pump for immediate lubrication and hydraulic pressure for operation.
- Regulated output volume for varied driving conditions. Maximum volume is not required at all times.



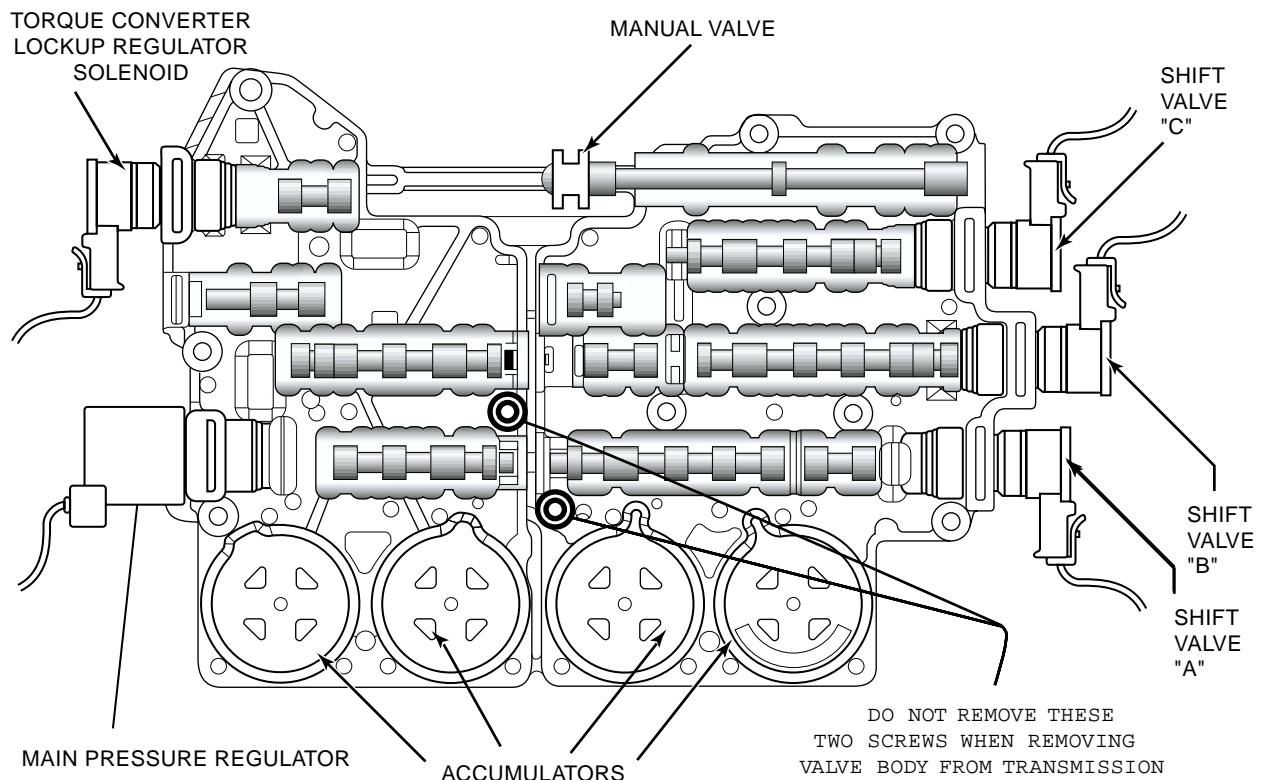
The GS 20 regulates the pump output volume as well as main line pressure regulation

Electro/Hydraulic Valve Body:

Located in the oil sump, the valve body is the electro/hydraulic control center for regulating and distributing pressurized transmission fluid for activating the various clutches, torque converter variable lock up, and regulation of main line oil pressures.

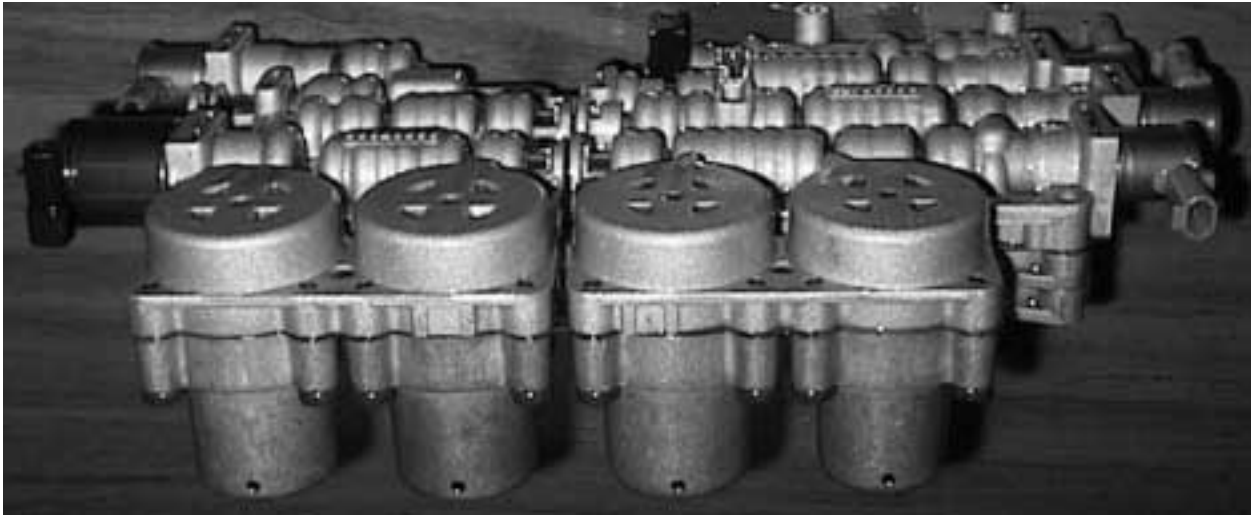
Sub components of the valve body assembly include:

- Manual valve
- One main pressure regulator solenoid (Pressure Regulator Force Motor Solenoid - "GM term")
- One torque converter regulator solenoid (also serves the Reverse Lock out function)
- Three MV shift solenoids (When activated in a coded sequence provide shifts for 1-2, 2-3, 3-4, 4-5)
- The spool valves and springs for controlling apply pressures, activating shifts, regulating torque converter lock up, etc.
- Four accumulator chambers for "cushioning" the transmission fluid apply pressure during upshifts 1-2, 2-3, 3-4, 4-5.

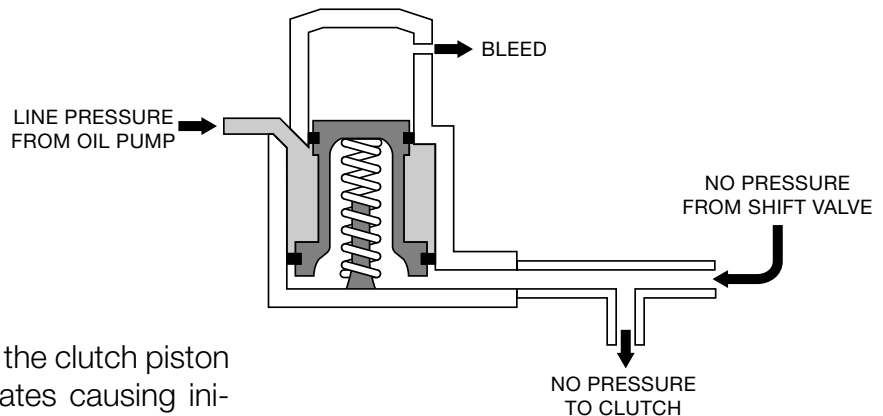


Accumulator Chambers:

The accumulator chambers are similar in function to "fluid dampers". The accumulators are used to improve shift quality by absorbing apply pressures on the multiplate clutches providing a cushioned clutch engagement.



Clutch apply fluid pressure directed to an accumulator piston and helped by a spring force opposes an accumulator fluid line pressure creating an action similar to a shock absorber.

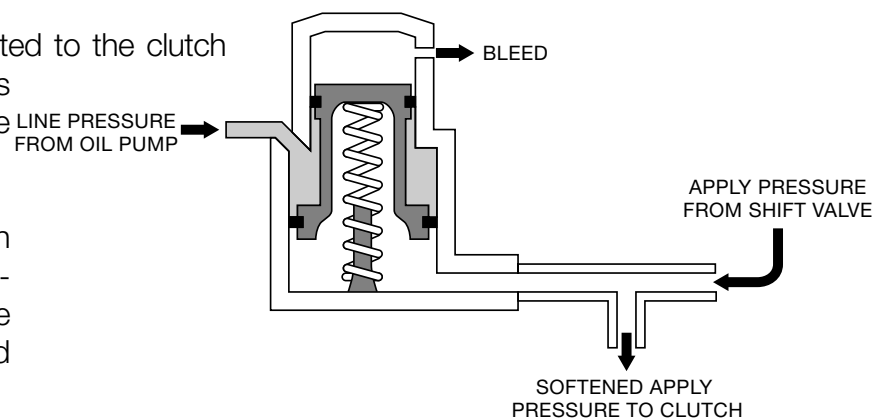


The apply pressure pushes the clutch piston against the steel/friction plates causing initial engagement.

Once the clearance between the clutch plates is taken up by the piston travel and the plates begin complete engagement the fluid pressure builds very rapidly.

The accumulator is connected to the clutch apply circuit which at this point starts to absorb the rapidly building pressure.

The accumulator piston moves upward accommodating the high pressure fluid causing a delayed complete engagement.

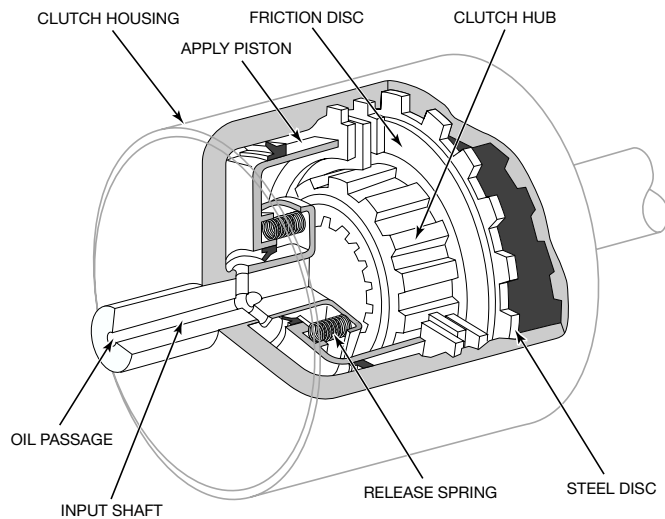


Multi plate Drive and Brake Clutches:

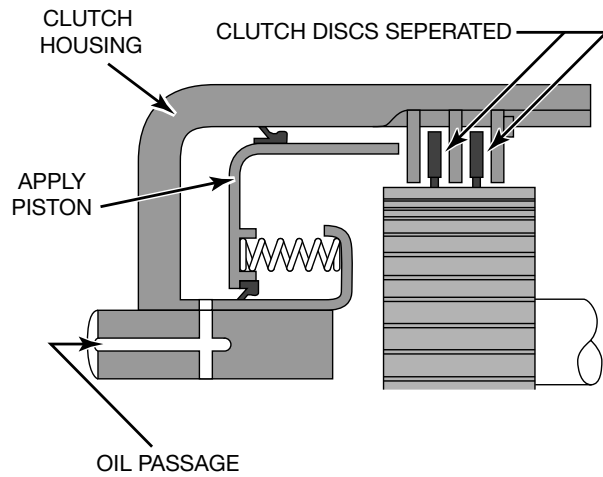
Located in the main case are four drive and five brake clutches. When cushioned hydraulic control pressure is applied, the clutches engage smoothly with a slight delay.

The valve body activates the various drive and brake clutches in a coded sequence to transmit engine drive torque to the planetary gear set providing the various output shaft ratios.

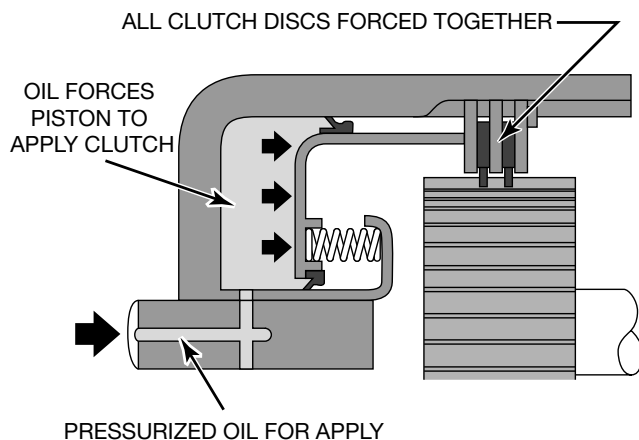
The clutches are multiplate units with both steel and friction plates. The friction plates are single sided.



CLUTCH RELEASED



CLUTCH APPLIED



Free Wheel Clutches (Sprag Type):

Free wheel clutches spin freely in one direction and lock in the opposite direction.

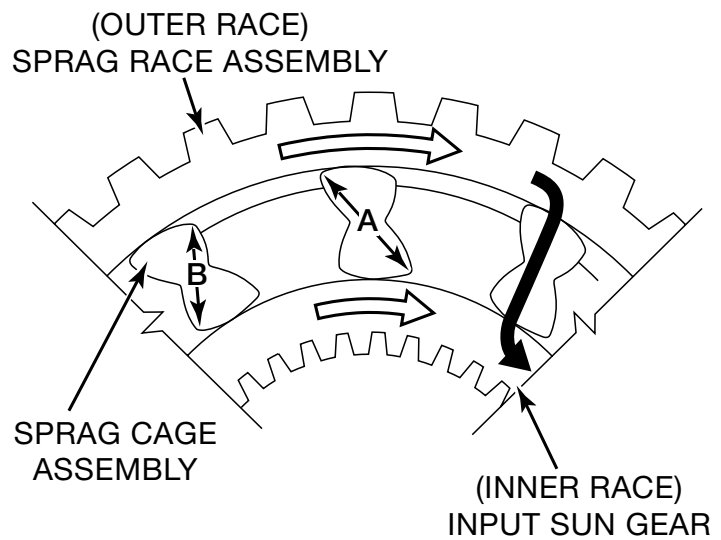
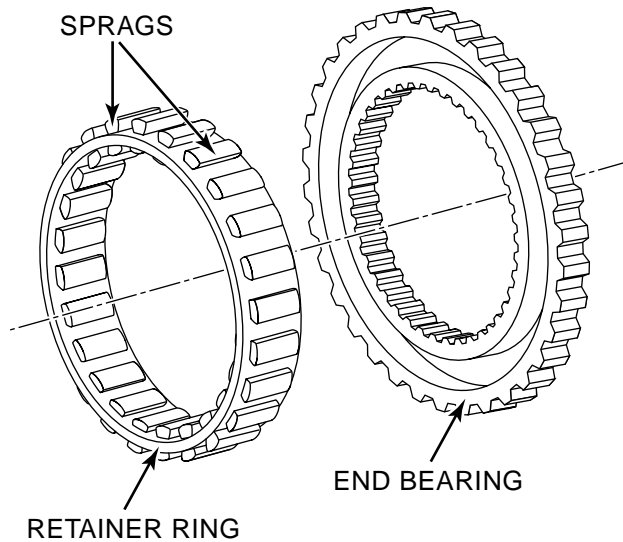
They consist of an inner race, an outer race and the sprag assembly.

The sprag assembly contains individual, asymmetrically shaped wedges (sprags).

- When the inner race is driven, the sprags allow free wheel rotation. There is no effect on the outer race.
- When the outer race is driven, the sprags wedge between the inner and outer races causing them to lock. The inner race is then driven by the outer race.

Free wheel clutches are used to:

- hold components stationary,
- drive components when driven
- free wheel, allowing power to spin the inner or outer race without an output reaction.



The A5S 360R utilizes four Free Wheel clutches to perform various shifting and component holding functions during the delayed, cushioned multi plate clutch engagement preventing an interruption in the power flow during upshifts.

The clutches are identified as FW1, FW2, FW3 and FW4.

Planetary Gearset (Ravigneaux)

Based on the Ravigneaux design, the A5S 360R planetary gearset is made up of two sections; front & rear. It functions as a single integral assembly with a common planetary carrier and a set of common long planetary gears. It consists of the following components:

- Two separate ring gears,
- Two separate input sun gears (one front, one rear)
- One set of three long planetary gears common to both sections (front-rear).
- One set of three short planetary gears (rear)
- One set of three short planetary gears (front)
- One common planetary carrier.

The gearset has three possible torque inputs:

1. Planetary carrier
2. Front input sun gear
3. Rear input sun gear

Three possible reaction components:

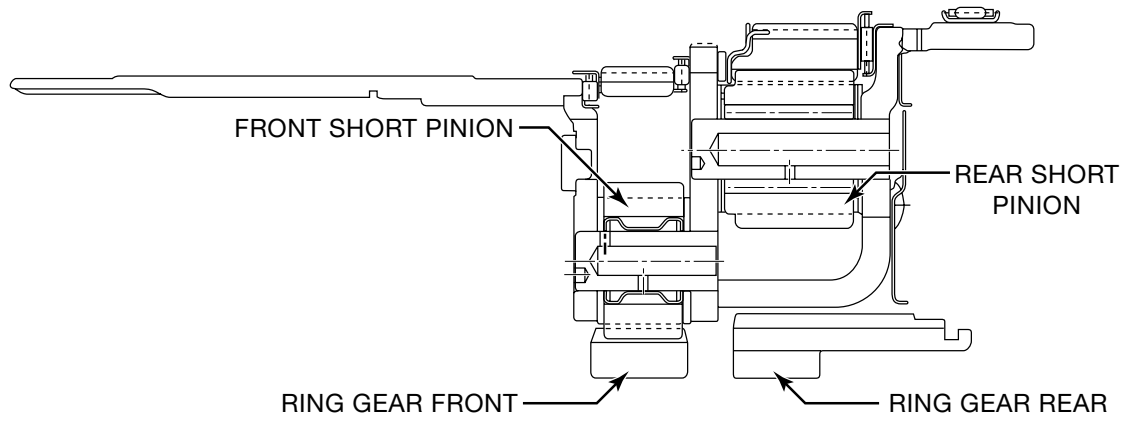
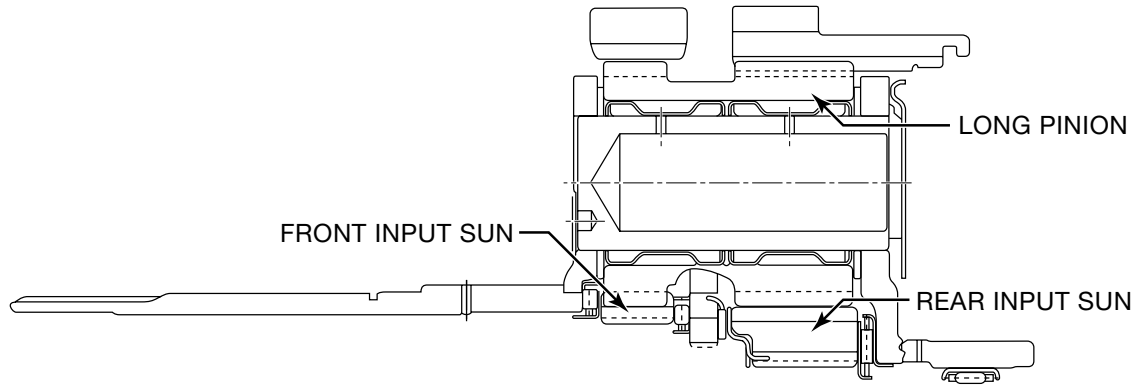
1. Planetary carrier
2. Front ring gear
3. Front input sun gear

and one torque output:

1. Rear ring gear.

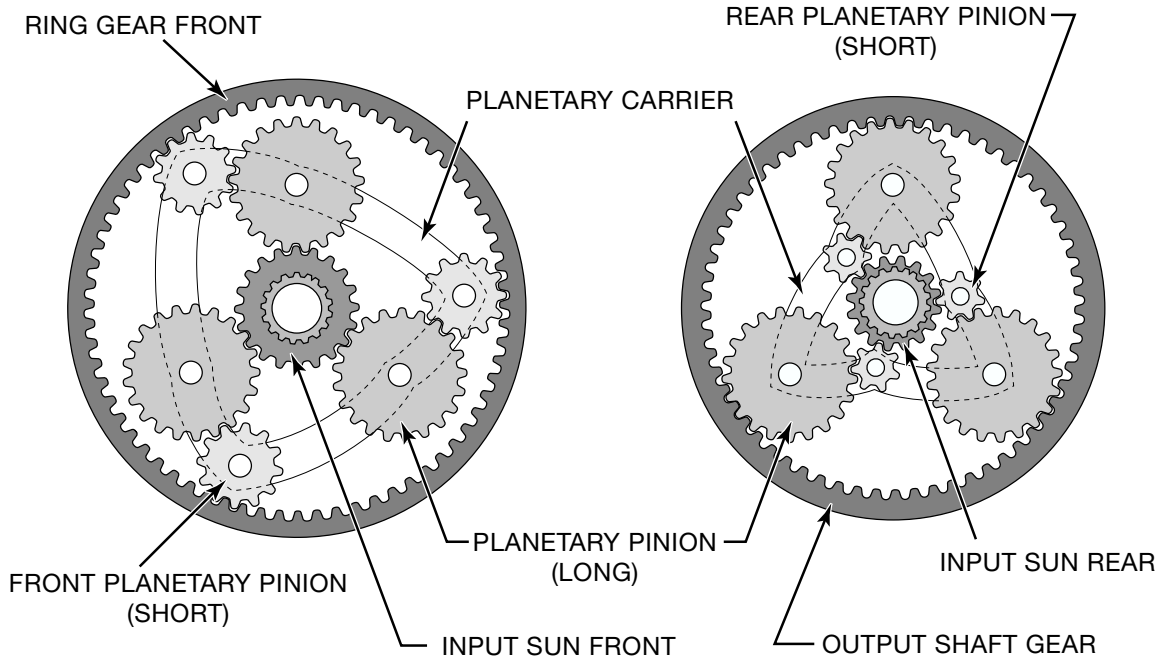
Planetary Gearset “Input - Reaction - Output” Chart

Gear	Input	Reaction	Output	Ratio
First	Rear Input Sun Gear	Planetary Carrier	Rear Ring Gear	3.45:1
Second	Rear Input Sun Gear	Front Ring Gear	Rear Ring Gear	2.21:1
Third	Rear Input Sun Gear	Front Input Sun Gear	Rear Ring Gear	1.59:1
Fourth	Rear Input Sun Gear & Planetary Carrier	None	Rear Ring Gear	1.00:1
Fifth	Planetary Carrier	Front Input Sun	Rear Ring Gear	0,76:1



FRONT VIEW

REAR VIEW

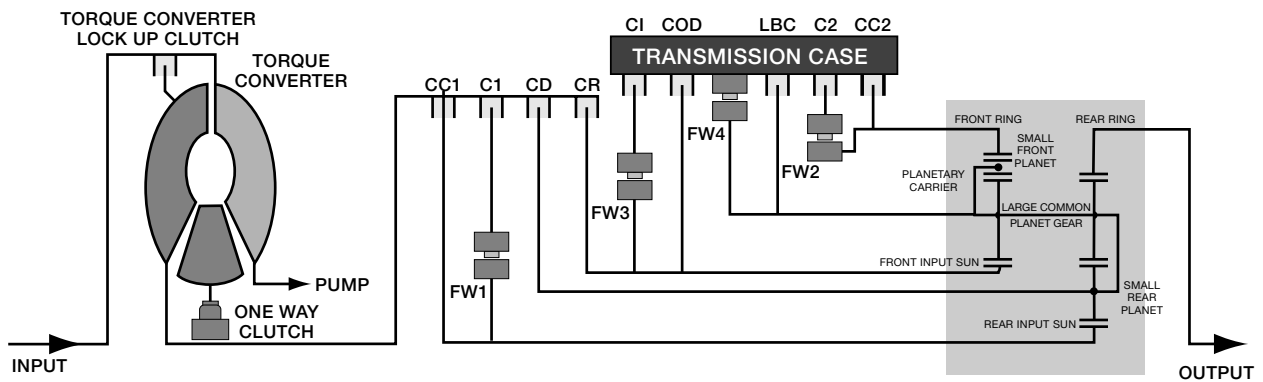


A5S 360R POWER FLOW

The GS 20 module controls the hydraulic valve body through electrical activation of the various solenoids. Electrical activation is based on a programmed operation map and transmission operating conditions (vehicle speed, engine load, throttle position, range selection, AGS program logic, etc).

Engine torque is transferred by the various drive clutches when activated. The various torque paths enter the planetary gearset as input. Simultaneously, the planetary gearset is provided with reactionary input (held components) from the various brake clutches and Free Wheel clutches.

The output result is five forward drive gears with progressive ratios and a single reverse gear.



Range	Gear	Ratio	Clutches									Free Wheels				Solenoids						
			C1	C2	C1	CD	COD	CC1	LBC	CC2	CR	1	2	3	4	A	B	C	TCC			
D/4/3/2	1	3.45:1	X						X	X					X				OFF	ON	ON	NO
	2	2.21:1	X	X					X		X				X	X			ON	ON	ON	NO
D/4/3	3	1.59:1	X	X	X		X	X						X		X			ON	OFF	ON	Y/N
D/4	4	1.00:1	X	X	X	X		X						X					OFF	OFF	ON	Y/N
D	5	0.76:1	X	X	X	X	X												OFF	OFF	OFF	Y/N
P/N	/	/																	OFF	ON	OFF	

TRANSMISSION CONTROL SYSTEM (GS 20)

The A5S 360R automatic transmission is controlled by the GS 20 control module. The acronym (GS) comes from the German word "**Getriebesteuerung**", meaning Gearbox Control.

The design, program development and manufacturing of the GS 20 control system is the result of the combined efforts of BMW, Siemens and GM.

The GS 20 control module is located in the E box in the engine compartment. It utilizes the 134 pin, "SKE" (standard shell construction), modular connector, enclosure.



BMW PRODUCTION LINE LABEL

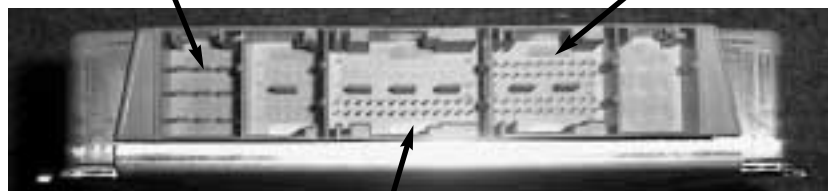
IDENTIFICATION LABEL:

- **BMW Part Number**
- **Version Identification**
- **Software Level**
- **Production Date**
- **Serial Number**
- **Siemens Part Number**
- **GM Part Number**

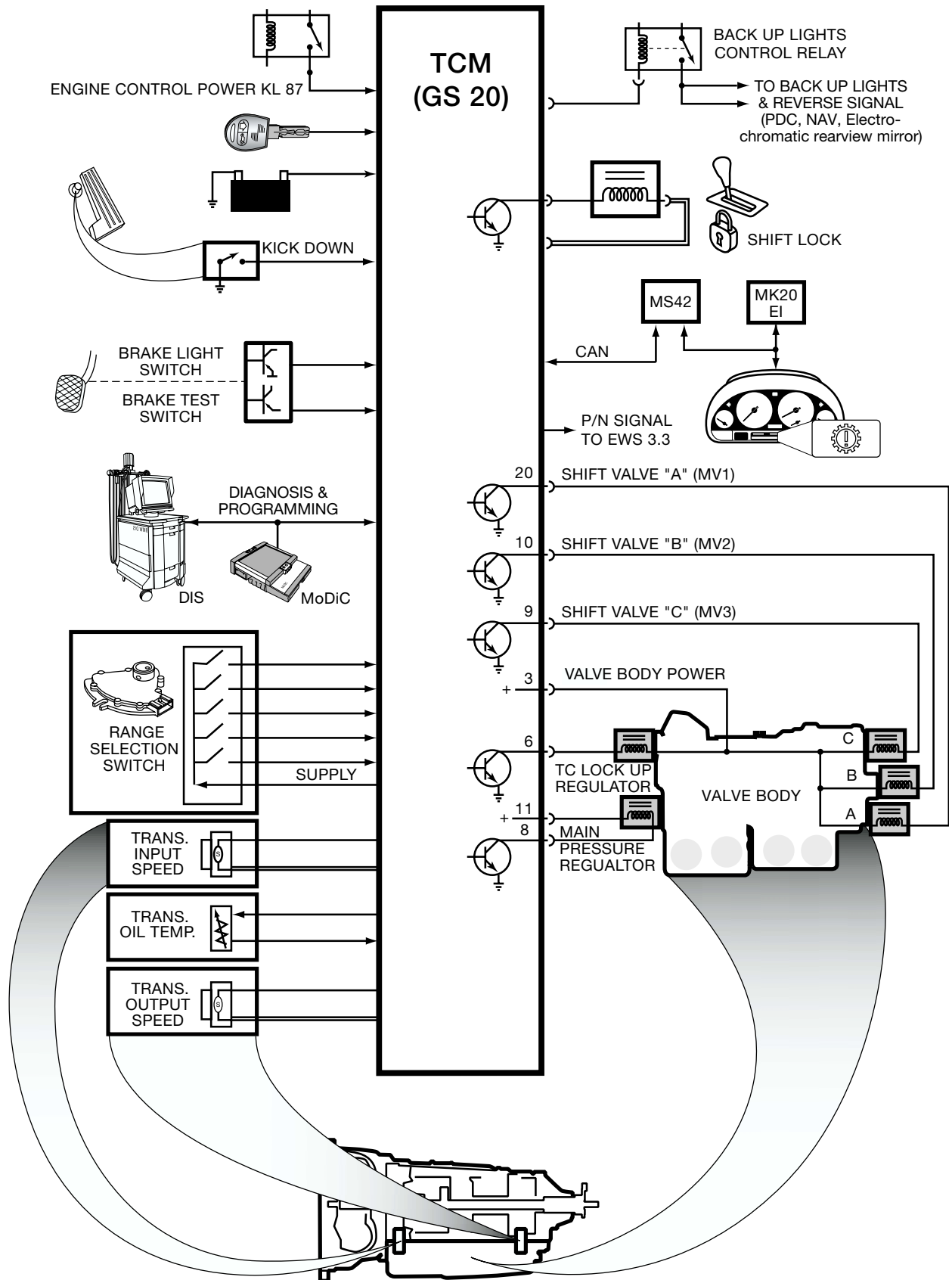
Its blue connector color designates it a Transmission Control Module. The GS 20 utilizes 3 of the 5 modular connectors.

Connector 1: (X70001) 9 pins = Power and ground connections.

Connector 4: X70004, 40 pins = Input and output control signal connections to transmission components in the transmission and CAN to MS 42.0.



Connector 3: (X70003) uses 26 of the 52 pins = Input and output control signal connections to components in interior compartment (shift lock, EWS interface, brake light switch).



GS 20 INPUT SIGNALS

Power Supply and Grounds:

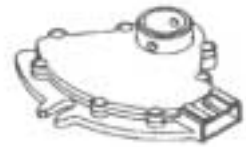
The GS 20 receives:

- KL 30 (constant battery power),
- KL 15 (terminal 15 of the ignition switch)
- KL 87 (operating power from the Engine Control Main Relay)
- KL 31 (ground connection for the control module electronics and peripheral component operation)

The GS 20 monitors the power/ground inputs for shorts (B+ and B-), open circuits and battery voltage levels (high and low).

Range Selector Switch:

The switch is mounted inside the transmission main case on the driver's side. This location provides precise monitoring of the Manual valve position and is sheltered from the harsh environment under the vehicle external of the main case. Adjustment is not required.



The range selector switch has 6 wires. The GS 20 provides the switch with 12 volts on one wire (pin 2 of connector X70004).

Depending on the range selector position, the switch provides coded high signals over five wires to the GS 20. The addition of the fifth wire (pin 1) is new compared with previous four wire range selectors providing a redundant P/N signal circuit.

X70004	Pin 1	Pin 14	Pin 15	Pin 16	Pin 17
Park	X	X			X
Reverse		X	X		
Neutral	X		X		X
Drive			X	X	
4		X	X	X	X
3		X		X	
2				X	X

X = High Signal

Electronic Brake and Brake Test Switch:

The GS 20 monitors the brake pedal position to activate sport mode, down hill recognition and for the shift lock operation. The control module receives both the brake and brake test hall effect sensor signals. When pressed;

- the brake light switch pulls a standing voltage in the GS 20 low,
- the brake test switch provides a high signal to a circuit monitor in the GS 20.

Kick Down Switch:

When the throttle pedal is pressed fully to the floor, the kick down switch closes providing a ground signal to the GS 20.

The GS 20 recognizes the ground as a request to provide an immediate down shift and to switch to the AGS sport mode shifting program.



Transmission Fluid Temperature Sensor:

Located in the transmission oil sump, the NTC oil temperature sensor's ohmic value decreases as the temperature increases. The GS 20 monitors the fluid temperature by sensing the voltage drop across the sensor causing a standing monitor voltage to "bleed" to ground. Rise and fall of the standing voltage value is a direct correlation of the fluid temperature.



Detection of high fluid temperature modifies the torque converter regulation control and modifies the shift program to aid in reducing transmission fluid temperature.

If the signal becomes impaired, the GS 20 applies a substitute temperature value based on Engine Temperature via CAN and stores a specific fault code.

Transmission Input and Output Speed Sensors:

The transmission speed sensors (turbine and output shaft) are analog inductive sensors that produce an AC sine wave similar to an ABS/ASC wheel speed sensor. The AC signal frequency is proportional to the rotation speed of the monitored components .



- The turbine speed sensor scans a pulse wheel attached to the forward clutch housing.
- The output shaft speed sensor scans a pulse wheel attached to the rear ring gear.

The GS 20 monitors these signals along with the engine speed signal (CAN) to calculate transmission slip ratio for plausibility and for the adaptive pressure control function.

The sensors are monitored for plausible signals, opens and shorts. Specific fault codes are stored for defects with these sensors.

GS 20 OUTPUT CONTROL SIGNALS

Valve Body Solenoid and Pressure Regulator Control



The GS 20 activates the 3 shift solenoids by individual switched ground output control signals.



The Main Oil Pressure and Torque Converter Lock up regulators are controlled by a Pulse Width Modulated (PWM) control to ground.

PWM control modulates the hydraulic control pressures based on the current AGS shift program and maintains adaptive pressure control.

Shift Lock Solenoid Control:

The shift lock feature prevents the unintentional movement of the shifter from Park or Neutral.

When KL 15 is switched on, the shift lock is engaged, when the brake pedal is pressed, the GS 20 releases the ground control circuit of the shift lock solenoid unlocking the shift gate. Additionally, above 2500 RPM, the selector lever remains locked in Park even if the brake pedal is applied.



P/N Signal:

As an output function, the GS 20 provides the EWS 3.3 with a switched high/low signal for P/N status.

- P or N = high
- all other ranges = low.

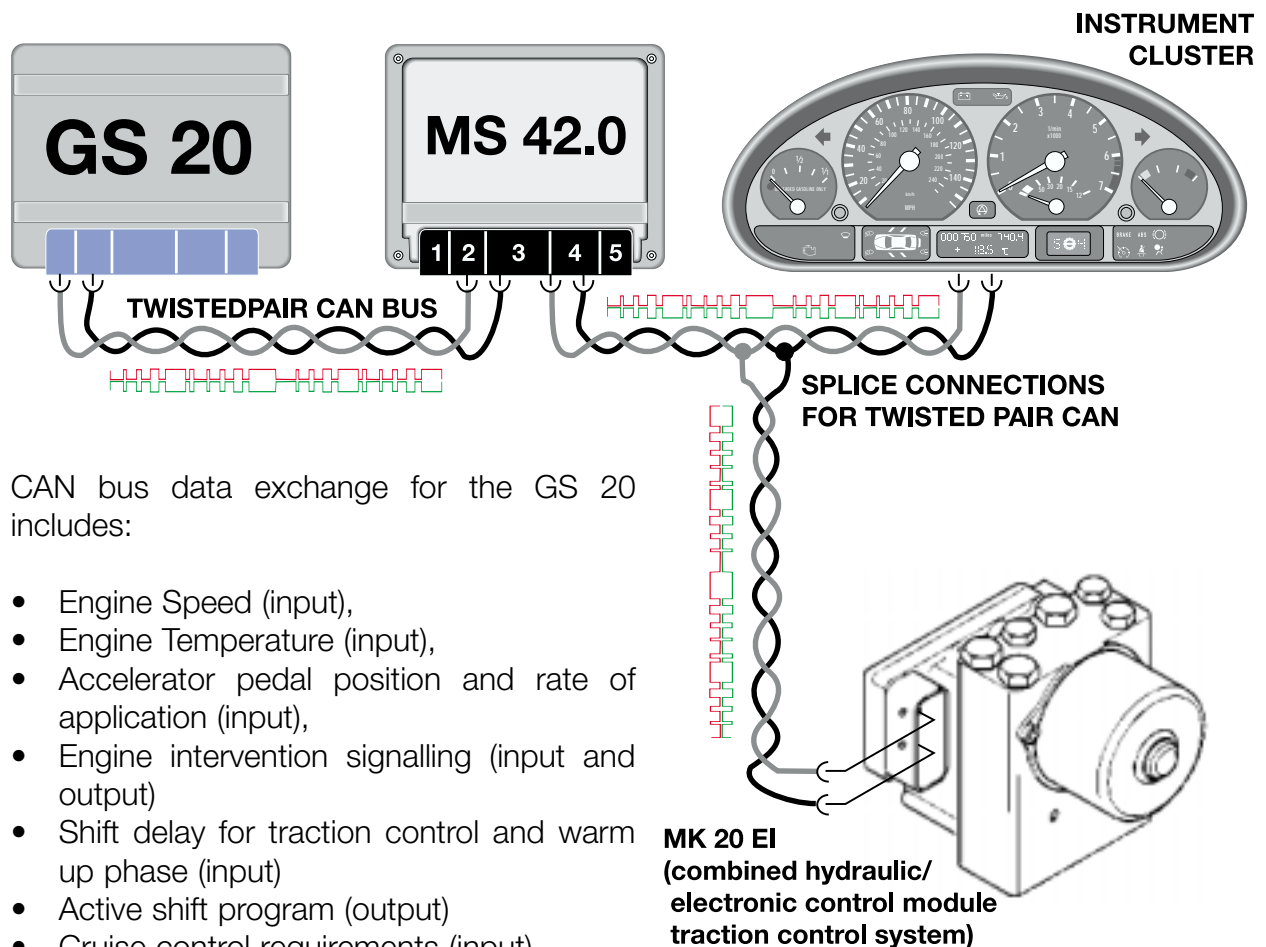
The EWS 3.3 provides the P/N safety feature preventing the starter motor from operating unless the shifter is in P/N (high signal).

Back Up Light Relay Control:

As an output function, the GS 20 provides a switched ground to activate the control circuit of the back up light relay when the range selector is in R. The Back Up Light Relay provides power directly to the back up lights. The lighting circuit is also used as a high signal indicating Reverse status for PDC, NAV and the electro chromatic rearview mirror systems.

CAN BUS COMMUNICATION:

The E46 utilizes the now familiar “twisted pair” CAN bus wiring configuration for drivetrain and instrument cluster communication interface. The MS 42.0 to GS 20 link is a dedicated CAN circuit. The MS 42.0 is the gateway for data exchange between the GS 20 and Mark 20 EI (traction control) and the Instrument cluster.



CAN bus data exchange for the GS 20 includes:

- Engine Speed (input),
- Engine Temperature (input),
- Accelerator pedal position and rate of application (input),
- Engine intervention signalling (input and output)
- Shift delay for traction control and warm up phase (input)
- Active shift program (output)
- Cruise control requirements (input)
- Turn recognition (input)
- Current Range and program selection (output)
- Torque Converter lock up signalling (output)
- Transmission fault indication lamp (output)
- etc..

GS 20 Program Features Overview

AGS (ADAPTIVE TRANSMISSION CONTROL)

The GS 20 adaptive transmission control feature automatically selects suitable shifting programs based on driving style, selected range, monitored signal activity and road/environmental conditions. Advantages to the AGS shift control include:

- Shift points adapted to the driving style
- Improved safety - no unwanted up shifting while in a tight curve,
- Automatic determination and selection of the winter program for better driveway traction and reduced shift activity.
- Improved comfort - Starting in second gear in stop and go traffic.

The AGS can be divided into two functional groups:

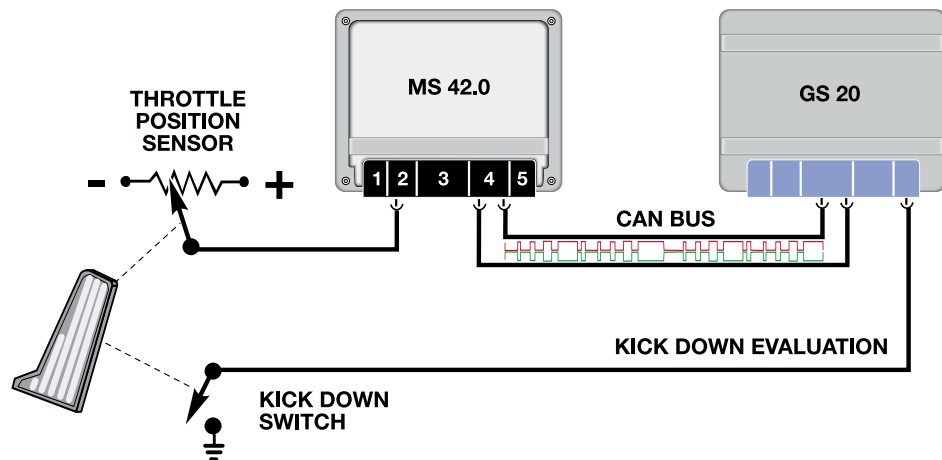
1. Driver influenced features
2. Features that react automatically to the driving style and environmental conditions.

DRIVER INFLUENCED FEATURES OF AGS

The adaptive drive program is based primarily on throttle input from the MS 42.0 control module via the CAN bus. The calculated rate of pedal position change influences the selection of the shift points.

Moderate movement causes moderate downshifts while a quick application of the throttle initiates a downshift.

The GS 20 also monitors braking and kickdown request.



Economical driving: Shifter in D. Drive with slow application of throttle. This provides low and comfortable shift points providing high fuel efficiency.

Quick accelerator pedal activity automatically leads the GS 20 into the intermediate power mode. Based on this input data, the AGS automatically selects a sporty shift strategy.

Sport: Shifter in "D", shift points are higher to take advantage of the full engine performance. The sport program is also immediately activated by a kick down request or excessive braking.

The AGS driving programs are not adapted on a long term basis - nor is it stored in the GS 20 control module memory when the ignition key is switched off.

The GS 20 continuously monitors the driving style and adapts to meet the current driver requirements.

AGS FEATURES THAT REACT TO OPERATING CONDITIONS

Stop and Go Driving: This feature is activated by a defined sequence of shifts which are as follows:

- Upshift from first to second - followed by a downshift from second to first - followed by another upshift from first to second. This is then followed by the vehicle coming to a complete stop.

After this sequence, the transmission will stay in second gear. The GS 20 AGS program has recognized stop and go driving and this function prevents excessive shifting during heavy traffic conditions. The second gear start is cancelled when:

- The throttle pedal movement exceeds limits (quick step on the pedal)
- The range selector is moved to P, N or R.

Curve Recognition: This feature is activated when the GS 20 detects a variation of front wheel speeds via the CAN bus. The Mark 20 EI control module broadcasts the wheel speed sensor signals and their speed variations for any control module programmed to monitor this condition. When curves are recognized, the GS 20 inhibits up shifting until the front wheel speed signals equalize indicating the vehicle is driving straight ahead. This feature enhances the vehicle handling characteristics when cornering at higher speeds.

Winter Drive Program: Wheel slip is calculated by the GS 20 based on wheel rotation data provided by the traction control system via CAN bus. The GS 20 modifies shift characteristics to match winter mode for better traction. When active, the transmission will start in second gear and the shift points are lowered. The purpose of this program is to improve the drivability of the vehicle with slippery road conditions.

Cruise Control Program: When cruise control is activated, the MS 42.0 control module communicates this status via the CAN bus. The GS 20 activates a program suitable for active cruise control operation preventing pendulum locking/unlocking of the torque converter and minimizes up/down shifting. Additionally, the MS 42.0 can request a downshift if the vehicle speed exceeds the set speed limit when coasting downhill.

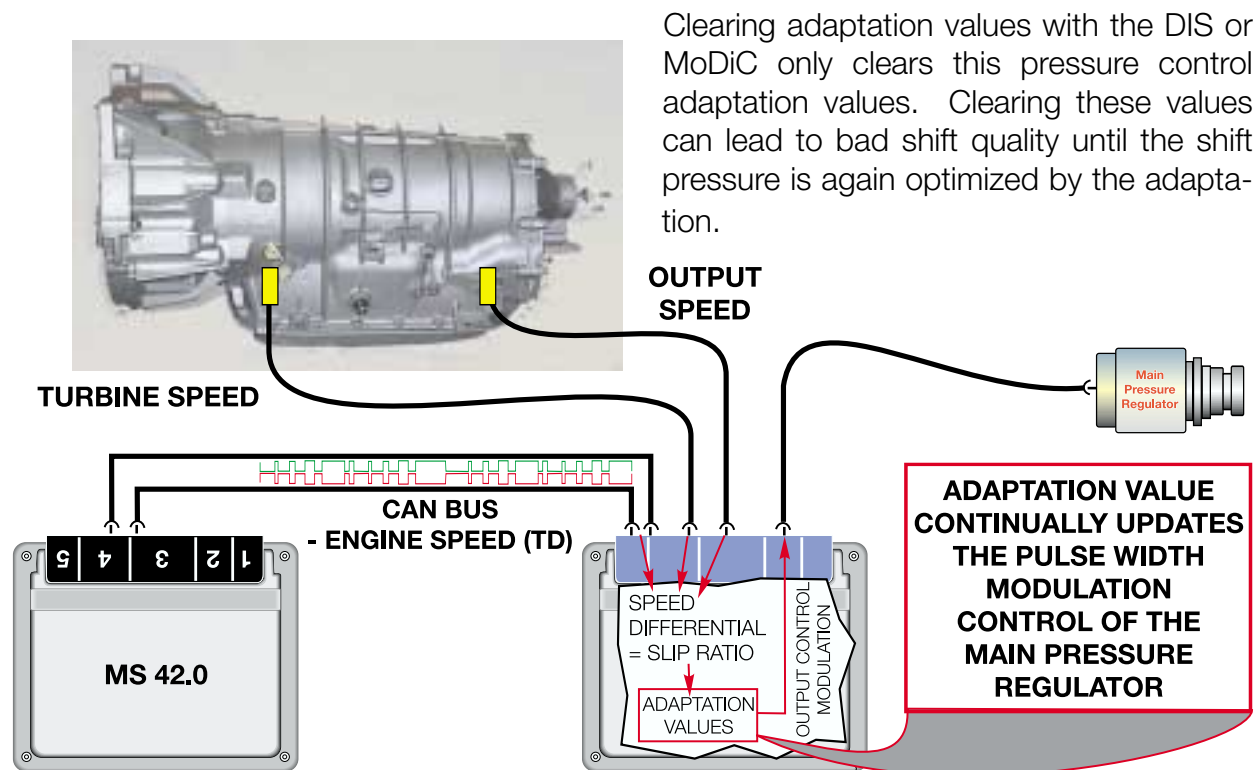
Hill Recognition Program: The GS 20 activates this feature when it detects a high engine load condition at lower road speeds. When the vehicle is traveling up hill the shift points are raised to prevent repetitive up/down shifting.

ADAPTIVE HYDRAULIC PRESSURE CONTROL:

The GS 20 monitors engine speed via the CAN bus along with the transmission input and output speed signals simultaneously to determine the slip ratio and slip time during a shift. Slip ratio and slip time are influenced by production related differences between transmissions and by aging.

The comparison of target & real slip allow the GS 20 to perform the adaptive pressure control function by modifying the PWM control of the main pressure regulator solenoid increasing the clutch apply pressures to compensate for internal slip. The adaptive pressure control function optimizes the shift quality and increases the life span of the clutch plates.

The adaptive pressure control feature is not an AGS function.



EMERGENCY PROGRAM (SAFETY MODE)

If a malfunction causes the GS 20 to activate the Emergency Program, the transmission fault indicator and the Check Engine Light in the instrument cluster both illuminate (CAN signal activation) and electronic control terminates.



The transmission shifts manually in the following sequence:

- For range selector lever positions D, 4, 3 or 2, Fifth gear is immediately activated (no electrical control). P, R and N positions operate normally.
- Torque converter lock up clutch is not functional
- **Reverse lock out is also not functional.**

If the vehicle is stopped and restarted with this condition, the vehicle drives normally until the condition that initially caused the Emergency Program activation is once again detected.

If the initial problem was a power down of the GS 20 control module, the transmission will shift manually in the following sequence:

- For range selector lever position D, 4, 3 or 2, Fourth gear is immediately selected. P, R and N positions operate normally.
- Torque converter lock up clutch is not functional
- **Reverse lock out is also not functional.**

SERVICE INFORMATION

TRANSMISSION FLUID:

- Initial production transmissions are factory filled with DEXRON III.
- Later production transmissions will be factory filled with **Texaco ETL-7045** lifetime oil.

When the transition occurs, the fluid type will be noted by a label change on the transmission pan indicating the actual fluid type in the transmission.

Transmissions filled with Texaco 7045 Dexron III can be "topped off" with the Texaco ETL-7045 oil if required after performing the oil level checking procedure with the DIS/MoDiC.

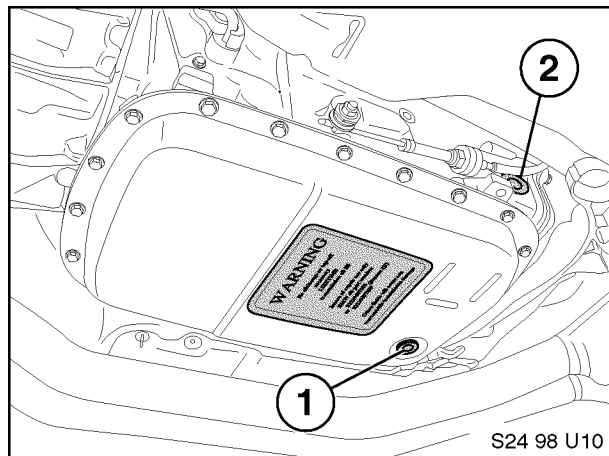
Fill Capacity: Approximately 7 liters (not including torque converter)
 Approximately 8 liters (including torque converter)

CHECKING TRANSMISSION FLUID LEVEL:

The Drain and Fill plugs are located as shown:

Checking the transmission fluid level requires the fluid temperature be between 30°C and 50°C.

- Connect the DIS or MoDiC to the 20 pin diagnostic connector of the vehicle.
- From the diagnosis start screen identify the vehicle and press the continue arrow.
- From the vehicle identification screen press the continue arrow.
- From the Fault Symptom Selection Menu press the "Function Selection" button on the bottom left of the screen.
- From the "Operations" column, select "Service Functions", then "Drive", then "Electronic transmission control"
- Then select "Oil Level Check" from the Components list on the right side of the screen and press the "Test Schedule" button.
- From the Test Schedule listing, select "Oil Level Check" and press the continue button.
- Select 1. Oil Level Check by pressing the #1 button. Follow the instructions on screen to carry out the oil level check procedure.



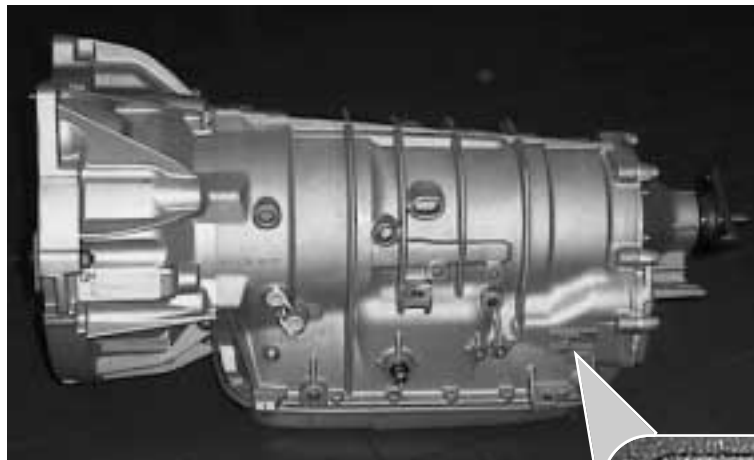
SERVICE AND REPLACEMENT PARTS

For a severely malfunctioning A5S 360R transmission, the service procedure is to exchange it with a replacement core once an authorization has been obtained. However, there are replacement parts available for Limited Service Repairs.

Transmission Identification:

As with all BMW transmissions, an identification plate is attached to the transmission housing. The plate provides a two character alpha code signifying identification.

Refer to the alpha code when ordering a replacement transmission. This code must be checked against the parts system verifying the code is correct for the specific vehicle and for possible code/part number supersession.



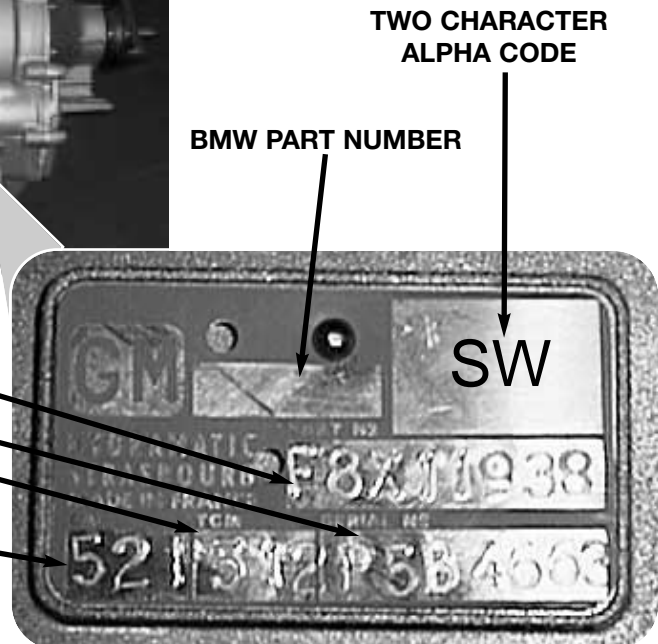
The ID plate of the A5S 360R provides the following data:

GM PART NUMBER

SERIAL NUMBER

TRANSMISSION CONTROL

CALIBRATION CODE



Alpha codes for the E46 as introduced are "SW" for the 328i and "SX" for the 323i.

Limited Service Repairs:

Minor electrical and mechanical repairs can be performed on the A5S 360R. The following are included in the repair scope of the A5S 360R:

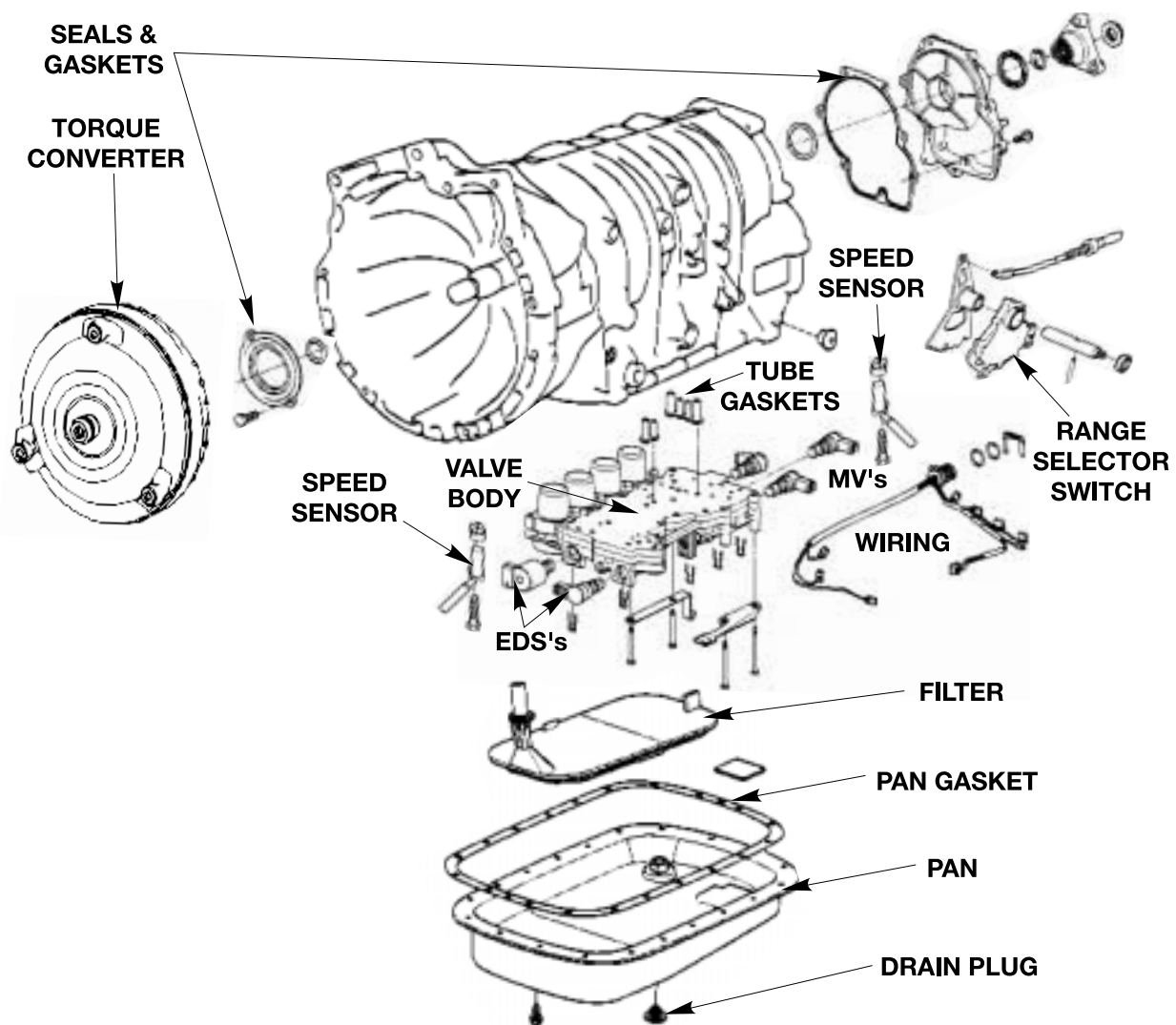
Service Parts: Oil Filter unit, Pan Gasket, Oil Filler and Drain plugs with seals.

Oil Leaks: Radial Seals and Gaskets

Mechanical Faults: Torque converter core replacement, Parking Pawl mechanism,

Hydraulic control faults - Valve Body Replacement

Electrical Faults - Shift Solenoids. Torque converter pressure regulator and Main Line oil pressure regulator, Wiring harness (fluid temperature sensor), Range Selector Switch, Turbine and output speed sensors.



DIAGNOSIS AND PROGRAMMING

The E46 diagnostic concept provides an minimization of Fault Symptom selections based on areas of selection. Follow the test schedule provided by the DIS / MoDiC. The test schedule is based on the selected fault symptom and stored fault codes.

FAULT CODES: The GS 20 monitors the A5S 360R and interfacing systems. When faults are detected, the GS 20 stores the following fault codes

Fault Codes			Description
BMW Code	DTC	Hex code	
61	None	3D	Transmission Fluid Over Temperature
96	P1750	60	System Voltage Low
96	P1751	60	System Voltage High
80	P1749	50	TCM Memory RAM/ROM/Programming fault
81	P1748	51	TCM NVM not Copied to RAM at Startup
60	P0705	3C	Position Switch Assembly (Range Switch signal not plausible or faulted)
34	None	22	Fluid temperature Sensor Circuit Voltage Low/High
33	P0715	21	Transmission Input Speed Sensor Circuit
32	P0720	20	Transmission Output Speed Sensor circuit
150	P0727	96	CAN - Engine Speed Signal
50	P0731	32	Incorrect 1st Gear Ratio
52	P0732	34	Incorrect 2nd Gear Ratio
53	P0733	35	Incorrect 3rd Gear Ratio
54	P0734	36	Incorrect 4th Gear Ratio
55	P0735	37	Incorrect 5th Gear Ratio
48	P0740	30	Torque Converter Clutch System - Mechanical
0	None	1	Main Pressure Control solenoid circuit
129	P1747	81	CAN Time out DME / TCM
131	None	83	CAN Time out Instrument Cluster
130	None	82	CAN Time out ASC
144	P1747	90	CAN BUS ERROR Protocol
145	None	91	CAN Torque Reduction Signal
146	None	92	CAN Engine Torque Signal
19	None	13	Shift Lock Control Solenoid/Circuit
147	P1765	93	CAN Throttle Position Signal
148	None	94	CAN Engine Coolant Temperature Signal
149	None	95	CAN Wheel Speed
151	None	97	CAN Brake Switch
113	None	71	Kickdown switch circuit malfunction
83	P1746	53	Shift Lock Power Control Solenoid Circuit High
84	P1746	54	TCC/Shift Solenoid Power Control Circuit High
16	P0753	10	Shift Solenoid 'A' Control Circuit Low/High Voltage
17	P0758	11	Shift Solenoid 'B' Control Circuit Low/High Voltage
4	P0743	4	Torque Converter Clutch PWM Solenoid Control Circuit
18	P0763	12	Shift Solenoid 'C' Control Circuit Low/High Voltage

BASIC TROUBLESHOOTING

- Always personally verify the customer complaint.
- Always verify that the complaint is truly a system malfunction.
- Perform a Quick Test to determine if the vehicle systems have logged fault codes.
- Call up the faulted system or appropriate test schedule to verify the correct control module is installed in the car.
- Follow the Diagnostic Information System (DIS) on screen instructions and perform all tests as specified.
- Use the DIS and fault symptom diagnostic procedures as trained.
- Follow the appropriate test module procedures for systems that malfunction but fail to set faults in memory.
- To get a thorough understanding of automatic transmission issues, a GM or ZF Technical Specialist must be contacted whenever a vehicle is brought into the workshop with an automatic transmission related concern. Always have the printouts of fault codes stored in the DME and EGS and the transmission serial number available when calling.
- If there is no Service Information Bulletin published which addresses the specific complaint, do not make any repairs to a 5 speed automatic transmission prior to contacting a GM or ZF Technical Specialist. Contacts may be made by calling the BMW Technical Hotline: **1-800 472-7222**

A5S 325Z 5HP 19 ZF TRANSMISSION

Model: E46 All Versions

**Production Dates: 323i/Ci/Cic : 3/00 to 8/00, 323it: from 4/01,
330i/Ci/Cic: from 6/00, 325i/Ci/Cic: from 9/00**

Objectives

After completing this module you should be able to:

- Recognize the differences between the torque converters used in the 323i/325i and the 330i.
- Understand the purpose of overlap shifts.
- Describe the method used to program the control unit.
- Know how to check and fill the transmission fluid.

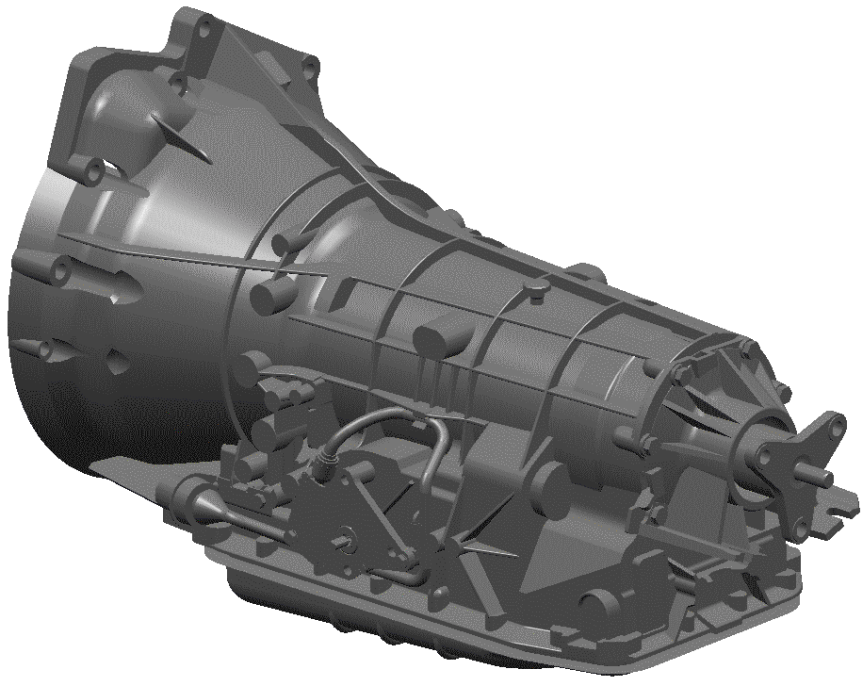
1. A5S325Z Automatic Transmission

1.1 Automatic Transmission A5S325Z

The A5S325Z automatic transmission was jointly designed by BMW and ZF for BMW six-cylinder models with a power output of up to 150 kW/204 bhp. It has electronic-hydraulic control and operation, as is usual for BMW. In addition, it is fitted with an adaptive transmission control system of the kind used, for instance, in the A5S440Z.

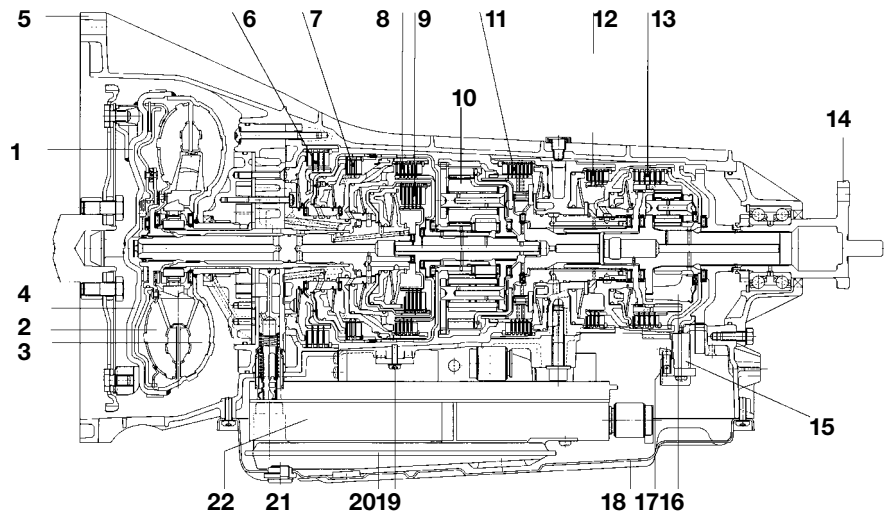
The new automatic transmission offers:

- Better shifts
- Enhanced dynamics
- Improved fuel economy
- Quieter operation



KT-2352

Fig. 1: A5S325Z Automatic Transmission



KT-2507

Fig. 2: A5S325Z Transmission

- | | | | |
|----|--------------------------|----|------------------------------------|
| 1 | Torque converter housing | 12 | Clutch G |
| 2 | Turbine | 13 | Clutch F |
| 3 | Impeller | 14 | Output flange |
| 4 | Torque converter clutch | 15 | Output speed sensor |
| 5 | Transmission case | 16 | Single planetary gear set |
| 6 | Clutch C | 17 | Oil filler plug in side of oil pan |
| 7 | Clutch B | 18 | Oil pan |
| 8 | Clutch E | 19 | Turbine speed sensor |
| 9 | Clutch A | 20 | Oil filter |
| 10 | Planetary gear set | 21 | Drain plug |
| 11 | Clutch D | 22 | Shift unit |

Technical Data:

Transmission type	automatic passenger-car transmission with five gears as standard.					
Torque capacity	max. torque			300 Nm at	3500 rpm	
	max. output			150 kW/204 bhp at	6000 rpm	
Torque converter	2.8 lt.		W254 with double CTC			
	2.5 lt.		W254 with single CTC			
	2.0 lt.		W254 with single CTC			
Transmission ratios	first gear	3.67	second gear	2.00	third gear	1.41
	fourth gear	1.00	fifth gear	0.74	reverse	4.10
Selector positions	P-R-N-D and Steptronic					
Control	electronic-hydraulic with adaptive control					
Weight	transmission	61.7 kg				
	torque converter	10.4 kg				
	oil	6.9 kg				
	total approx.	79.0 kg				
On tow	200 km at 70 km/h					

1.2 Converter clutch

As in all automatic transmissions, power is transmitted via the torque converter with converter clutch and via the drive and brake clutches to the planetary gear and on to the output flange.

The basic functions of the torque converter and the torque converter clutch are described in the training manual "BMW Automatic Transmission: Design and Function".

The features in which the torque converter and torque converter clutch differ from the A5S310Z are as follows.

- The weight of the torque converter has been reduced and the converter clutch has no torsion dampers, so the mass moment of inertia has been optimised.
- No torsion damper in the torque converter clutch, further optimising the mass moment of inertia.
- This transmission permits oil flow to continue when the torque converter clutch closed. This reduces the oil temperature in the torque converter. The torque converter clutch linings have small ducts to permit this flow of oil.
- The torque converter clutch is closed in third, fourth and fifth gears. As in the A5S440Z, clutch closure is slip-controlled. Control is in the speed range from approximately 25 km/h to approximately 120 km/h, depending on the load situation. The torque converter clutch is always closed at speeds in excess of 120 km/h.
- The torque converter clutch for the 2.8 litre has two linings (as in the A5S440Z). The version for 2.5 litre and 2.0 litre models has only one lining. This lining is on the torque converter housing, not (as in the A5S310Z) on the clutch.

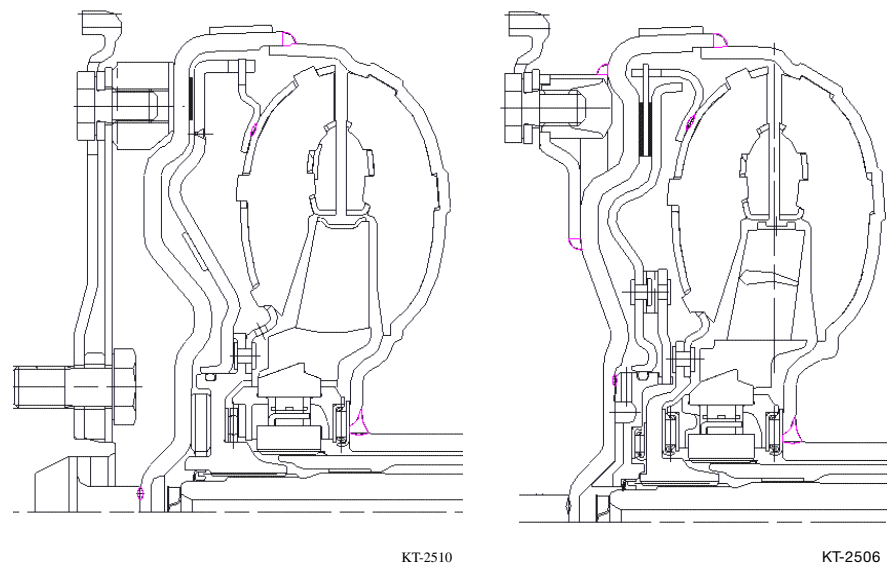


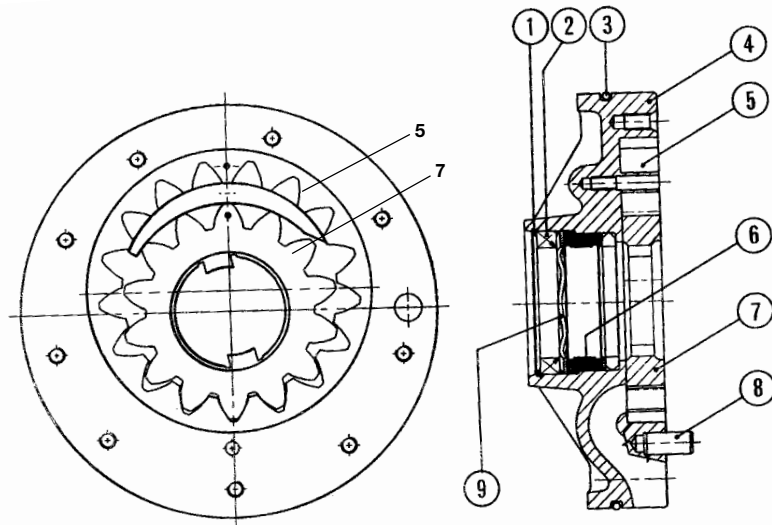
Fig. 3: Torque converter clutch 2.5 litre (left) and 2.8 litre (right)

1.3 Oil pump

The basic clutch functions are described in the training manual "BMW Automatic Transmission: Design and Function".

The delivery rate of the oil pump has been increased from 16 cm per revolution to 24 cm per revolution. This higher delivery rate means that a controlled converter clutch can be used.

The pump draws in oil via a filter and discharges the pressurized oil via a flow control valve which returns excess oil not needed at high engine speeds to the pump intake side. The flow control valve directs the pressurized oil via the main pressure valve in the hydraulic shift unit. This valve regulates the oil pressure and returns excess oil to the intake duct, releasing energy to increase pressure on the intake side in the same way as the flow control valve. This increase in pressure prevents cavitation and reduces noise.



KT-2487

Fig. 4: Oil pump

- | | |
|------------------|---------------------|
| 1 Retaining ring | 6 Needle bearing |
| 2 Shaft seal | 7 Impeller |
| 3 Round seal | 8 Centring pin |
| 4 Pump housing | 9 Corrugated washer |
| 5 Pump ring gear | |

1.4 Clutches

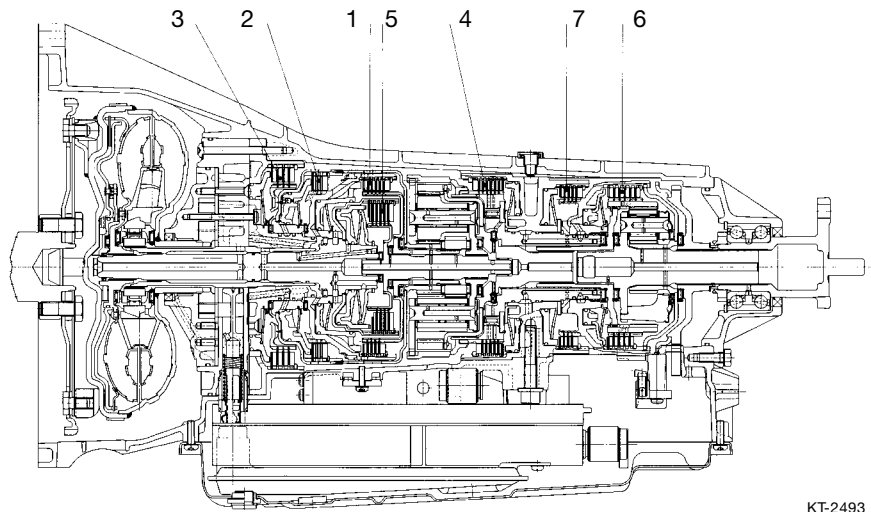
The basic clutch functions are described in the training manual "BMW Automatic Transmission: Design and Function".

The ring-type multi-disc clutches A-B-E and F are drive clutches which transmit engine power to the planetary gear set. Clutches C-D and G are brake clutches which brace the torque against the transmission case.

Shifts from first to second gear are assisted by a freewheel. In these shifts, therefore, there is no clutch overlap.

Shifts from second to third, from third to fourth and from fourth to fifth are overlap shifts. This means that one clutch must continue to transmit drive at reduced main pressure until the other clutch engages.

The transmission dispenses with brake bands, which has led to improved shift quality.



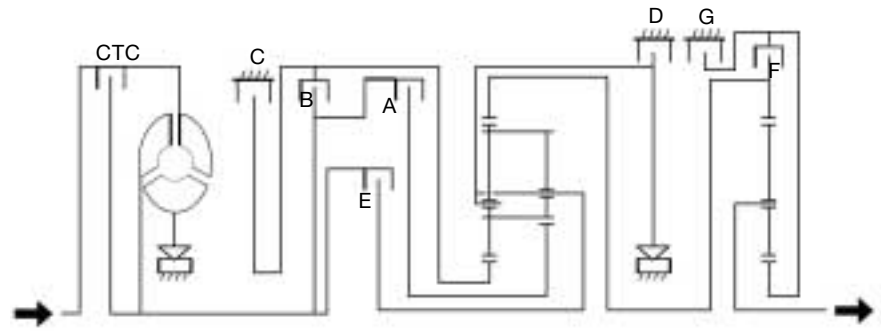
KT-2493

Fig. 5: A5S325Z clutches

- | | | | |
|---|-------------------------|---|----------|
| 1 | Clutch A | 5 | Clutch E |
| 2 | Clutch B | 6 | Clutch F |
| 3 | Clutch C | 7 | Clutch G |
| 4 | Clutch D with freewheel | | |

Tolerance limits for the dished-spring forces were reduced for all clutches, so fill-pressure tolerance is down. The gap is now set by the snap ring so fill volume tolerances are narrower. The increase in wear reserves boosts operational dependability and transmission durability.

1.5 Transmission diagram



KT-2381

Fig. 6: A5S325Z transmission diagram

Closed shift elements:

Gear	Clutch			Brake				Freewheel
	A	B	C	D	E	F	G	1
1	●			○			●	●
2	●		●				●	
3	●		●			●		
4	●				●	●		
5			●		●	●		
R		●		●				
○ = depending on operating status								

1.6 Planetary gear set

The basic functions of the planetary gear set are described in the training manual "BMW Automatic Transmission: Design and Function".

As in the A5S310Z, the A5S325Z transmission uses a Ravigneau planetary gear set.

The bearings of the planetary gears have been improved in this transmission (e.g. double bearings for short planet gears and cage bearings for long planet gears). These design modifications reduce gear noise and improve driving characteristics.

Tail planetary gear set

The tail planetary gear set consists of a sun gear with its four planet gears, a planet spider and a ring gear.

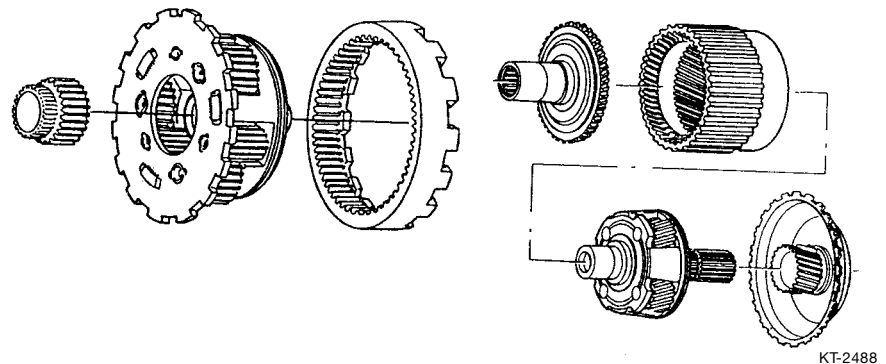


Fig. 7: Planetary gear set with tail planetary gear set

The planetary gear set consists of the following components:

- Ring gear
- Small sun gear
- Large sun gear
- Planetary gears

The tail planetary gear set consists of the following components.

- Ring gear
- Planetary gears
- Spider
- Sun gear

1.7 Oil pan

As in the A5S440Z, the A5S325Z has a flat gasket for the oil pan. This modification maximizes the sealing properties. In order to enhance accessibility for maintenance personnel, the oil filler plug is in the side of the oil pan.

1.8 Transmission weight

At approximately 79.0 kg, the A5S325Z is about 5 % lighter than the A5S310Z. This increases fuel economy.

1.9 Position of selector lever and Steptronic function

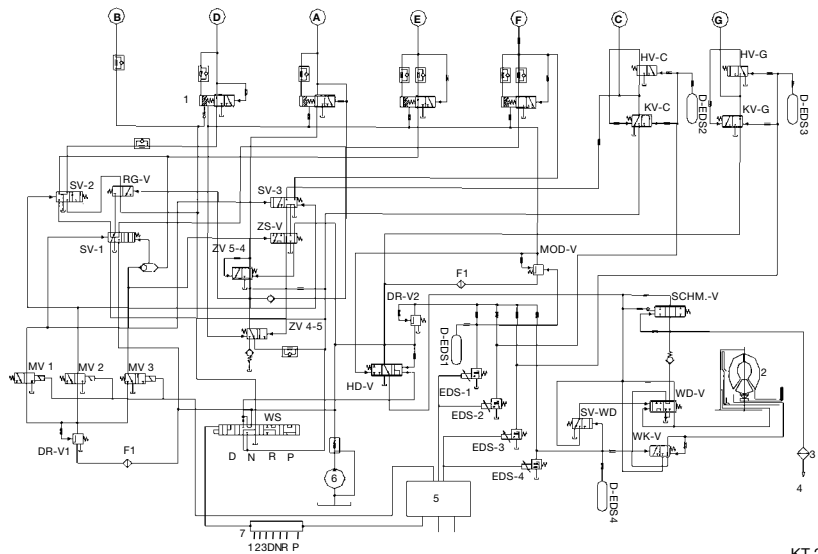
The position of the selector lever and the Steptronic function are the same as in the A5S310Z.

1.10 Modifications to electronic-hydraulic control system

The basic functions of the electronic-hydraulic control system are described in the training manual "BMW Automatic Transmission: Design and Function".

Hydraulic shift unit

The A5S325Z has three solenoid valves and four electrical pressure control valves to control the shift unit. Two of the pressure control valves are for gear shifts. One controls the modulation pressure and one operates the torque converter clutch. Controlled converter clutch operation would not be possible without a pressure control valve.



KT-2619

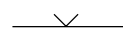

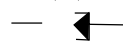

Fig. 8: Hydraulic system

Key

- 1 Clutch valve with damper
- 2 Torque converter
- 3 Oil cooler
- 4 Lubrication
- 5 Electronic control unit
- 6 Pump
- 7 Position switch

Key to abbreviations

- MV Solenoid valve
- EDS Pressure switch
- WS Selector lever
- D-EDS Damper for pressure actuator
- HV Retaining valve
- KV Clutch valve
- SV Shift valve
- ZS Thrust/coasting valve
- ZV Thrust valve
- MOD-V Modulation valve
- SCHM.-V Lube-oil valve
- RG-V Valve for reverse lockout
- DR-V Pressure relief valve
- HD-V Main valve
- WD-V Torque converter pressure valve
- WK-V Torque converter clutch valve

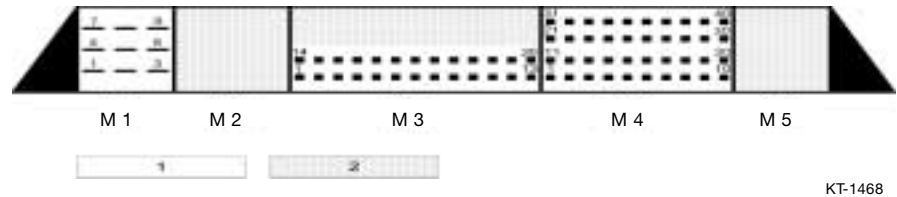
-  Breather
-  Restrictor
-  Baffle
-  Branch

1.11 Solenoid valve and clutch logic

A5S325Z																	
SOLENOID VALVE LOGIC									CLUTCH LOGIC								
POS/ GEAR	MV			EDS					Clutch				Brake			Free-wheel	
	1	2	3	1	2	3	4		A	B	E	F	C	D	G	1 g	
R = Reverse	★	-	-	★	-	★	-		-	★	-	-	-	★	★	-	
N = Neutral	★	★	-	★	-	★	-		-	-	-	-	-	-	★	-	
D, 1st gear	★	★	-	★	-	★	-		★	-	-	-	-	-	★	★	
D, 2nd gear	★	★	-	★	★	★	-		★	-	-	-	★	-	★	-	
D, 3rd gear	-	★	-	★	★	-	(★)		★	-	-	★	★	-	-	-	
D, 4th gear	-	-	-	★	-	-	(★)		★	-	★	★	-	-	-	-	
D, 5th gear	★	-	★-★	★	★	-	(★)		-	-	★	★	★	-	-	-	
2, 1st gear	★	-	-	★	-	★	-		★	-	-	-	-	★	★	(★)	
D, 5-4 drive	★	-	★	★	★	-	(★)		⊗	-	★	★	⊗	-	-	-	
TC	-	-	-	-	-	-	★		-	-	-	-	-	-	-	-	

1.12 Electronic control unit

A new control unit is used for A5S325Z transmissions. This control unit has also been fitted to A5S440Z transmissions since model year '98. The new control unit has a modular plug-in system with five chambers. Not all the plug modules are used in the automatic transmission control unit. The ground connections in module 1 are longer. This ensures that these pins are the first to make contact when the plug is pushed onto the control unit.



KT-1468

Fig. 9: Plug

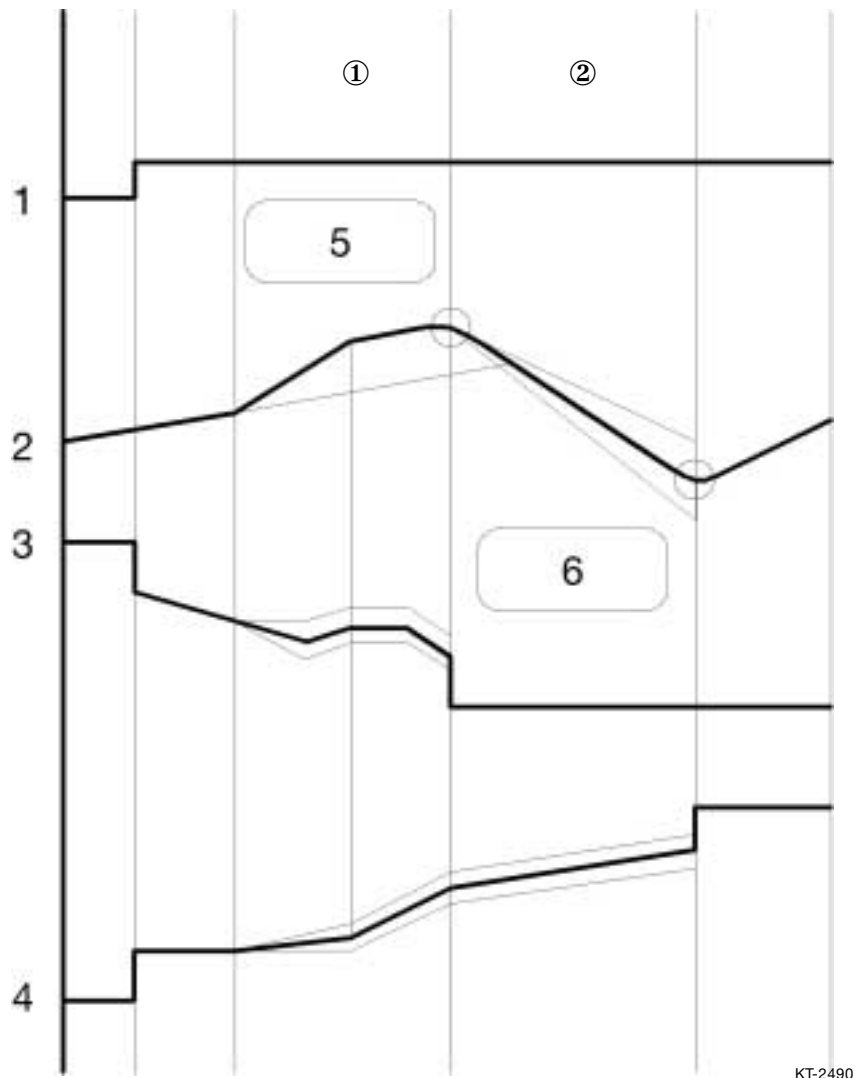
Key

M 1	Module 1	M 4	Module 4, automatic transmission
M 2	Module 2	M 5	Module 5
M 3	Module 3, body		
1	Pins used	2	Pins not used

These new high-end standard control units have shorter access times on account of a new, more powerful 32-bit processor with 256 k memory and a program run time of approx. 10 ms. The old control units had an 8-bit processor with 64 k memory and a run time of approx. 24 ms.

The new control units exclude the possibility of skip downshifts, for example from fifth to third. Downshifts can only be sequential through the gears.

The control units optimise shift quality. The transmission reacts faster to load changes when, for example, the driver allows the car to coast and then immediately presses the accelerator pedal to the floor. Under these conditions, the A5S310Z transmission shifted up a gear and then shifted back down. The A5S325Z transmission cancels the upshift, so the transmission remains in the original gear. Shift transition control, too, has been improved, and clutch draining and filling are better matched. These measures have considerably enhanced levels of shift comfort.



KT-2490

Fig. 10: Shift transition

Key

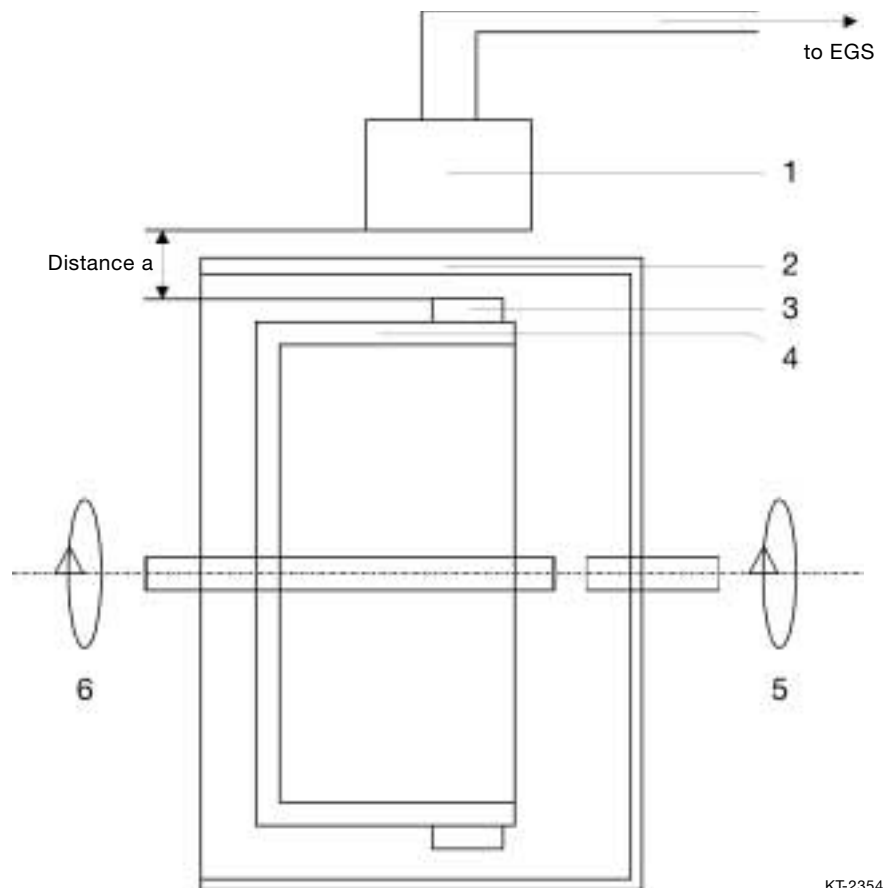
- 1 Gear signal
- 2 Turbine speed
- 3 Clutch opening under pressure
- 4 Clutch closing under pressure
- 5 Slip speed
- 6 Synchronization point
- ① Controlled load transfer (CLT)
- ② Controlled load shift (CLS)

1.13 Registering turbine speed

A Hall sensor (1) registers turbine speed (spider speed) in the A5S325Z transmission. The magnetic pole wheel (3) at cylinder A (4) rotates at turbine speed and generates a pulse frequency. This pulse frequency is registered by the Hall sensor through the non-magnetic bowl (2).

This innovation enables speed to be measured much more accurately than was the case with the A5S310Z transmission.

Synchronisation, in turn, can be calculated to a much finer degree of precision. Shift quality benefits accordingly.



KT-2354

Fig. 11: Registering turbine speed

Key

- | | |
|--|---|
| 1 Hall sensor | 4 Cylinder A, rotating at turbine speed |
| 2 Non-magnetic bowl | 5 Turbine speed |
| 3 Magnetic ring with 18 pole pairs uniformly spaced around the circumference | 6 Bowl speed |

1.14 Programming

Flashcode programming is the same as that used for the GS 8.55 control unit for the A5S440Z automatic transmission. The programming procedure is largely an adaptation of digital engine management programming with features tailored to electronic transmission control. As in digital engine management, flashcode control units can be programmed 14 times.

Note: The adaptation values always have to be deleted once the electronic transmission control unit has been programmed. The control unit has to re-adapt after the adaptation values have been deleted. The control unit adapts automatically when the car is on the road. It is, however, advisable to perform a test run covering upshifts and downshifts through all the gears.

The CAN bus is interrupted during programming, with the result that a CAN error is stored in the control units connected (ABS/ASC, DME etc.). Programming should always be followed by diagnosis to clear the fault memories of all the control units connected to the CAN bus.

1.15 Modifications to adaptive transmission control

How adaptive transmission control for A5S325Z transmissions differs from the implementation for A5S310Z transmissions.

The basic function of adaptive transmission control is described in the training manual "Adaptive transmission control unit".

Adaptive transmission control is the same as that implemented for the A5S440Z transmission. This transmission, therefore, has two adaptation modes for the A and S programs.

A program

Basic shift characteristic XE and shift characteristic E are selected in the A program.

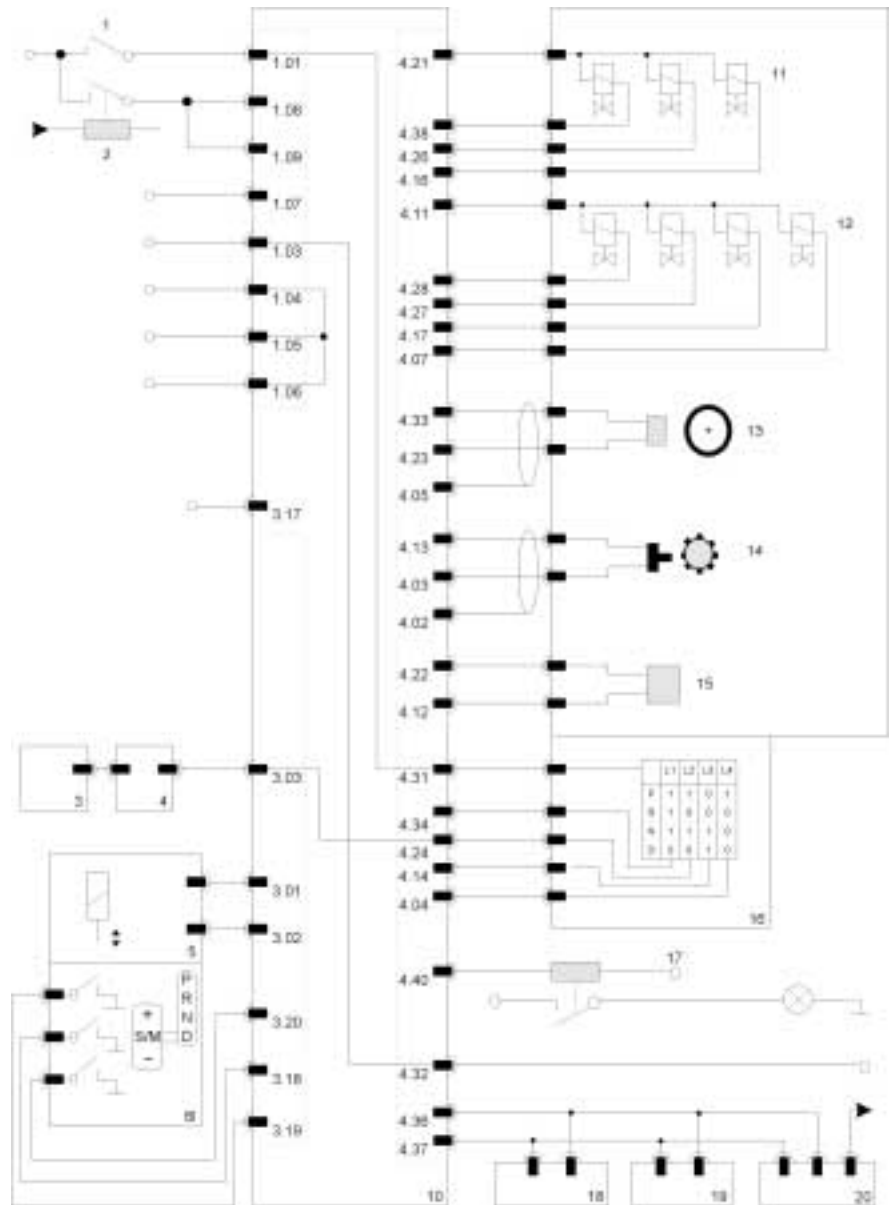
It is not possible to switch to the S or XS shift characteristics.

S program

Basic shift characteristic S and performance-oriented shift characteristic XS are selected in the S program.

It is not possible to switch to the XE or E shift characteristics.

1.16 System overview with Steptronic for E46



KT-2351

Fig. 12: System overview with Steptronic for E46

Key

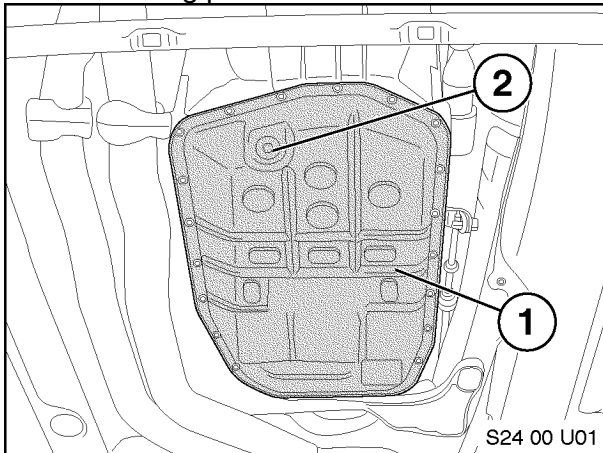
- | | |
|---------------------------------|---------------------------|
| 1 Ignition | 11 Solenoid valves |
| 2 DME master relay | 12 Pressure regulator |
| 3 Starter motor | 13 Hall sensor |
| 4 Electronic immobiliser | 14 Inductive sensor |
| 5 Shift lock | 15 Temperature sensor |
| 6 Selector lever and Steptronic | 16 Selector lever switch |
| 7 Auto down | 17 Reversing light in E46 |
| 8 Manual gate | 18 Instrument cluster |
| 9 Auto up | 19 ASC |
| 10 Transmission control unit | 20 DME |

Service Information

5HP19 for M52B25 Specifications

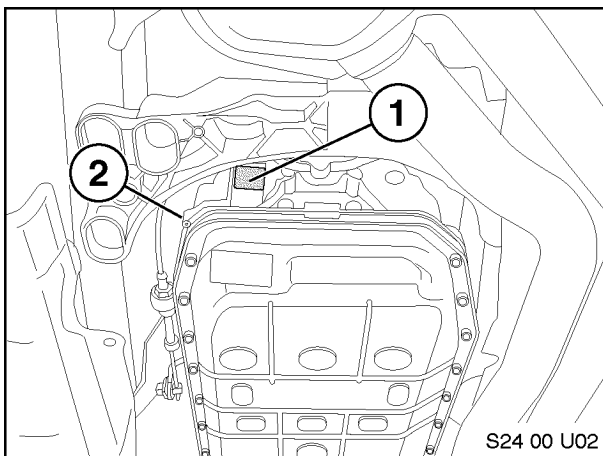
Transmission Type	5 speed automatic, AGS 8.60.4 adaptive transmission control	
Transmission Torque Capacity	Torque(max) at 3500 RPM = 300NM	
Torque Converter	254 mm dia. with slip controlled lock-up clutch	
Transmission Weight	78.9 kg (with oil)	
Transmission Ratio	1st gear	3.67
	2nd gear	2.00
	3rd gear	1.41
	4th gear	1.00
	5th gear	0.74
	Reverse	4.10
Transmission Oil	Lifetime Fill – Esso ATF LT 71141	BMW P/N 83 22 9 407 807
Filler plug torque	35NM	
Drain plug torque	30NM	

Fluid checking procedure is the same as A5S560Z, A5S440Z or A5S310Z. Refer to SIB 24 07 98.



The 5HP19 can be identified by the “ribbed” pan(1).

Drain plug location (2).



The 5HP19 identification tag (1) is located on the left rear of the transmission.

The filler plug (2) is located on the left-rear side (driver-side) of the transmission.

Transmission Application Chart

Trans. Model	Vehicle	Engine	Model Year
4HP 24 E9	750iL (E32)	M70	1988-94
	850i, Ci		1990-94
A4S 310R	525i (E34)	M50, M50 TU	1990-92 1993-95
	325i,is,ic	M50 M50 TU	1992 1993-95
	318i,is,ic (ti 95)	M42	1992-95
A4S 270R	328i,(is,ic, -97)	M52	1996-98
	Z3 2.3/2.8	M52/TU	1997-2000
	323is,ic	M52	1998-99
	318i,(is,ic, -97),ti, Z3 1.9	M44	1996-99
	528i (E39)	M52/TU	1997-99
A5S 360R 390R	323i/328i (E46)	M52TU	1999-2000
	325it (E46)	M54	9/00-3/01
	325xi/it/330xi (E46)	M54	2001-
	Z3 2.5/3.0	M54	2001-
	528i (E39)	M52TU	9/99-9/00
	525i/530i (E39)	M54	9/00-3/00
	X5 3.0i (E53)	M54	2001-
A5S 310Z	530i, it, (E34)	M60	1994-95
	M3	S50 US	1995
	M3	S52	1996-99
A5S 325Z	323i (E46)	M52TU	3/00-9/00
	325i/330i (E46)	M54	6/00-
	525i/530i (E39)	M54	3/01-
A5S 440Z	840Ci (E31),	M62	9/96-End prod.
	540i (E39),	M62/TU	1997-
	740i/iL (E38)	M62/TU	1/97-2001
	X5 4.4i	M62TU	2000-
A5S 560Z	740i/iL (E32)	M60	1993-94
	540i (E34)		1994-1995
	840Ci	M60	1994-1995
	740i/iL (E38)		1995-1996
	750iL (E38)	M73/TU	1995-2001
840Ci (E31)	M62	1996-8/96	
850Ci (E31)	M73	1995-End prod.	

Review Questions

1. How does the vane pump of the A5S 360R transmission regulate fluid volume?

2. What type of signal is used to control the pressure regulator solenoid? What happens to the fluid pressure if the control signal is switched off?

3. Describe how the transmission fluid heat exchanger operates.

4. How can the AGS/TCM module be distinguished from the DME/ECM?

5. Why does the AGS module monitor the brake pedal switch?

6. If no repairs are performed to the transmission, why is clearing the adaptation values not recommended?

7. What steps must be performed before determining a transmission needs to be replaced?

8. What is the difference between the torque converter lockup clutch between the two engine displacements?
